

Approval body for construction products
and types of construction

Bautechnisches Prüfamt

An institution established by the Federal and
Laender Governments



European Technical Assessment

ETA-17/0979
of 17 June 2020

English translation prepared by DIBt - Original version in German language

General Part

Technical Assessment Body issuing the
European Technical Assessment:

Deutsches Institut für Bautechnik

Trade name of the construction product

fischer Injection System FIS EM PLUS

Product family
to which the construction product belongs

Bonded fastener for use in concrete

Manufacturer

fischerwerke GmbH & Co. KG
Otto-Hahn-Straße 15
79211 Denzlingen
DEUTSCHLAND

Manufacturing plant

fischerwerke

This European Technical Assessment
contains

41 pages including 3 annexes which form an integral part
of this assessment

This European Technical Assessment is
issued in accordance with Regulation (EU)
No 305/2011, on the basis of

EAD 330499-01-0601

This version replaces

ETA-17/0979 issued on 22 July 2019

The European Technical Assessment is issued by the Technical Assessment Body in its official language. Translations of this European Technical Assessment in other languages shall fully correspond to the original issued document and shall be identified as such.

Communication of this European Technical Assessment, including transmission by electronic means, shall be in full. However, partial reproduction may only be made with the written consent of the issuing Technical Assessment Body. Any partial reproduction shall be identified as such.

This European Technical Assessment may be withdrawn by the issuing Technical Assessment Body, in particular pursuant to information by the Commission in accordance with Article 25(3) of Regulation (EU) No 305/2011.

Specific Part

1 Technical description of the product

The "fischer injection system FIS EM Plus" is a bonded fastener consisting of a cartridge with injection mortar fischer FIS EM Plus and a steel element according to Annex A5.

The steel element is placed into a drilled hole filled with injection mortar and is anchored via the bond between metal part, injection mortar and concrete.

The product description is given in Annex A.

2 Specification of the intended use in accordance with the applicable European Assessment Document

The performances given in Section 3 are only valid if the anchor is used in compliance with the specifications and conditions given in Annex B.

The verifications and assessment methods on which this European Technical Assessment is based lead to the assumption of a working life of the anchor of at least 50 or 100 years. The indications given on the working life cannot be interpreted as a guarantee given by the producer, but are to be regarded only as a means for choosing the right products in relation to the expected economically reasonable working life of the works.

3 Performance of the product and references to the methods used for its assessment

3.1 Mechanical resistance and stability (BWR 1)

Essential characteristic	Performance
Characteristic resistance to tension load (static and quasi-static loading)	See Annex B 3 to B 8, C 1 to C 12
Characteristic resistance to shear load (static and quasi-static loading)	See Annex C 1 to C 4
Displacements under short-term and long-term loading	See Annex C 13 and C 14
Characteristic resistance and displacements for seismic performance categories C1 and C2	See Annex C 15 to C 18

3.2 Hygiene, health and the environment (BWR 3)

Essential characteristic	Performance
Content, emission and/or release of dangerous substances	No performance assessed

English translation prepared by DIBt

4 Assessment and verification of constancy of performance (AVCP) system applied, with reference to its legal base

In accordance with the European Assessment Document EAD 330499-01-0601 the applicable European legal act is: [96/582/EC].

The system to be applied is: 1

5 Technical details necessary for the implementation of the AVCP system, as provided for in the applicable European Assessment Document

Technical details necessary for the implementation of the AVCP system are laid down in the control plan deposited at Deutsches Institut für Bautechnik.

Issued in Berlin on 17 June 2020 by Deutsches Institut für Bautechnik

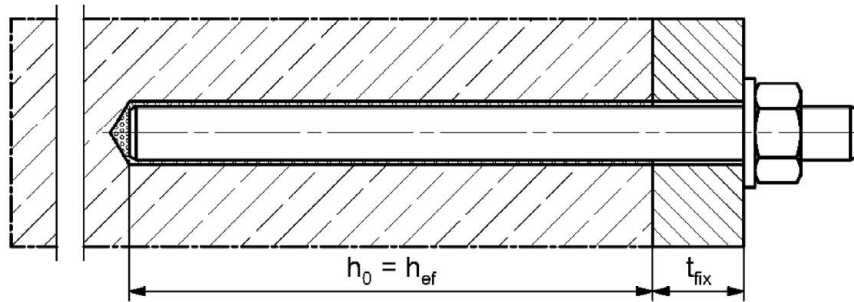
BD Dipl.-Ing. Andreas Kummerow
Head of Department

beglaubigt:
Baderschneider

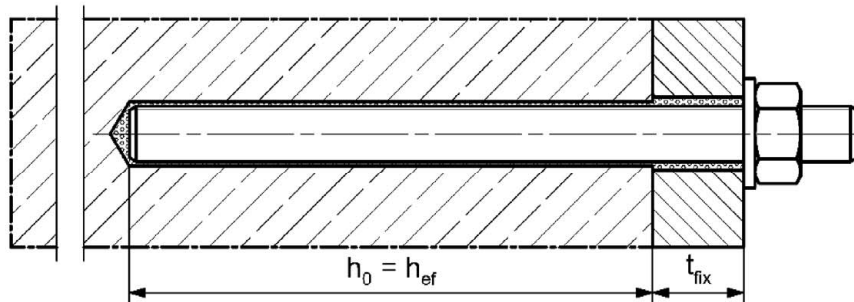
Installation conditions part 1

fischer anchor rod

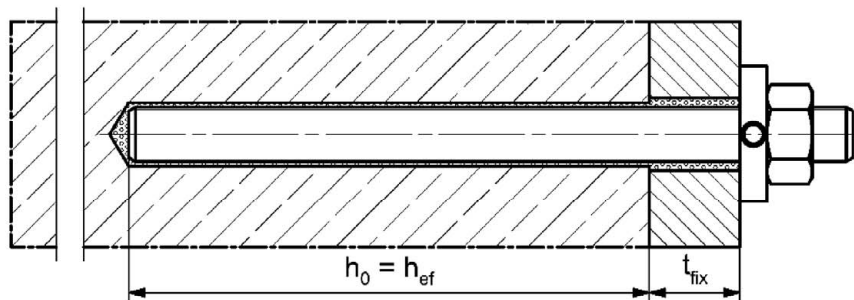
Pre-positioned installation



Push through installation (annular gap filled with mortar)



Pre-positioned or push through installation with subsequently injected fischer filling disc (annular gap filled with mortar)



Figures not to scale

h_0 = drill hole depth

h_{ef} = effective embedment depth

t_{fix} = thickness of fixture

fischer injection system FIS EM Plus

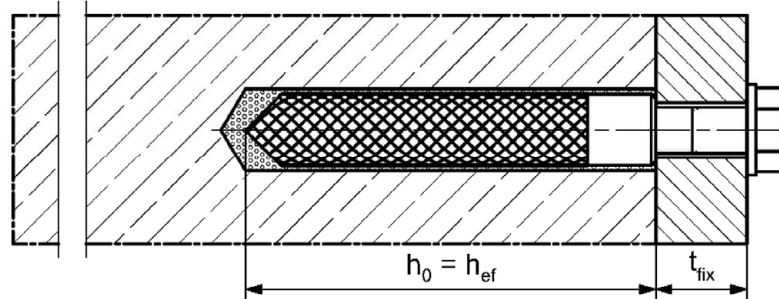
Product description
Installation conditions part 1

Annex A 1

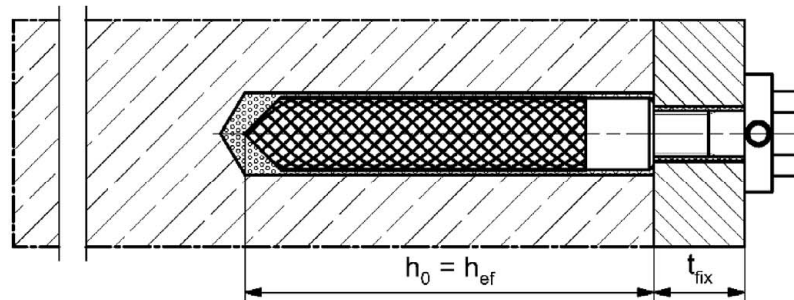
Installation conditions part 2

fischer internal threaded anchor RG MI

Pre-positioned installation



Pre-positioned installation with subsequently injected fischer filling disc (annular gap filled with mortar)



Figures not to scale

h_0 = drill hole depth

h_{ef} = effective embedment depth

t_{fix} = thickness of fixture

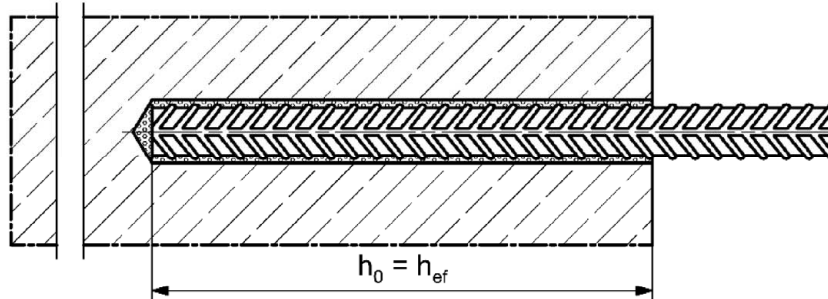
fischer injection system FIS EM Plus

Product description
Installation conditions part 2

Annex A 2

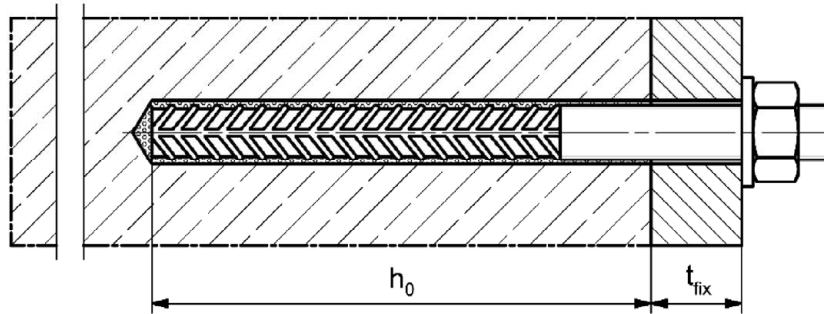
Installation conditions part 3

Reinforcing bar

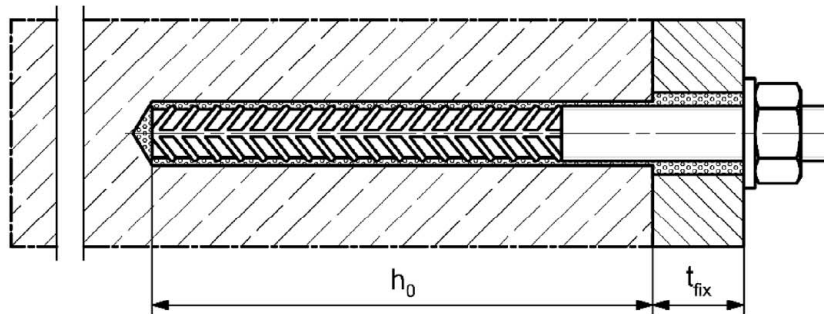


fischer rebar anchor FRA

Pre-positioned installation



Push through installation (annular gap filled with mortar)



Figures not to scale

h_0 = drill hole depth

h_{ef} = effective embedment depth

t_{fix} = thickness of fixture

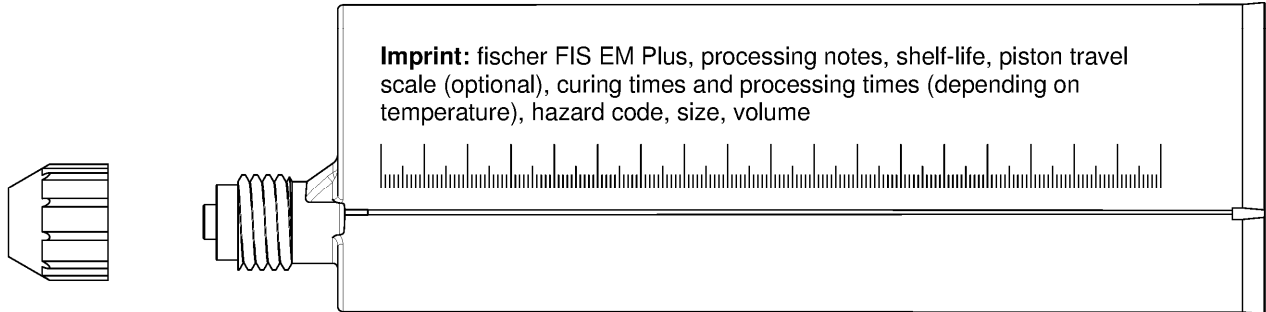
fischer injection system FIS EM Plus

Product description
Installation conditions part 3

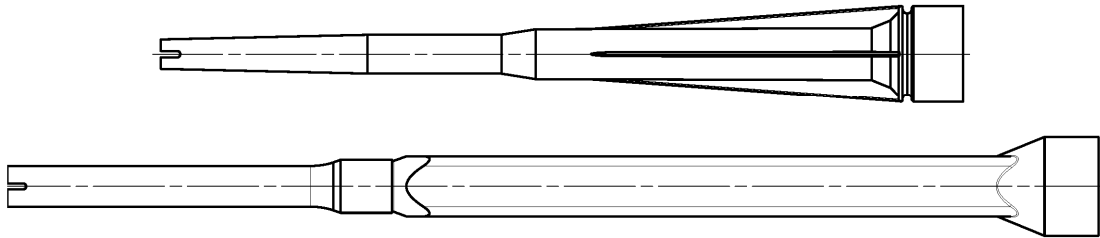
Annex A 3

Overview system components part 1

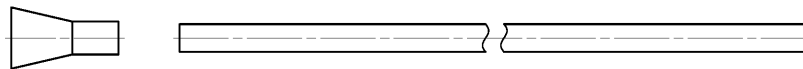
Injection cartridge (shuttle cartridge) with sealing cap; Size: 390 ml, 585 ml, 1100 ml, 1500 ml



Static mixer FIS MR Plus or UMR



Injection adapter and Extension tube for static mixer



Cleaning brush BS / BSB



Blow-out pump ABP



Figures not to scale

fischer injection system FIS EM Plus

Product description

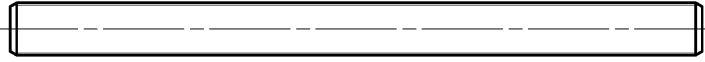
Overview system components part 1;
cartridges / static mixer / accessories

Annex A 4

Overview system components part 2

fischer anchor rod

Size: M8, M10, M12, M14, M16, M20, M22, M24, M27, M30

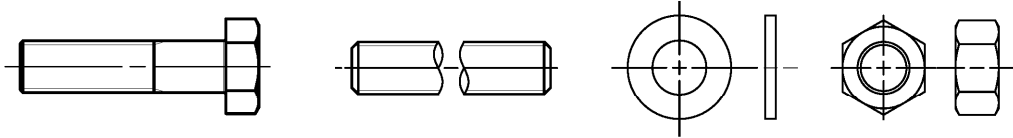


fischer internal threaded anchor RG MI

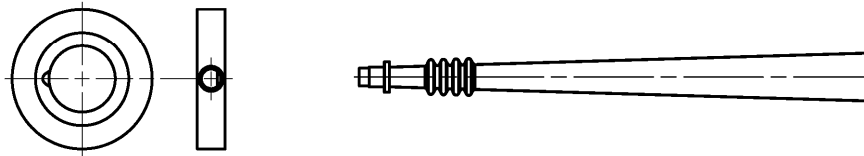
Size: M8, M10, M12, M16, M20



Screw / threaded rod / washer / hexagon nut



fischer filling disc with injection adapter



Reinforcing bar

Nominal diameter: $\phi 8$, $\phi 10$, $\phi 12$, $\phi 14$, $\phi 16$, $\phi 18$, $\phi 20$, $\phi 22$, $\phi 24$, $\phi 25$, $\phi 26$, $\phi 28$, $\phi 30$, $\phi 32$, $\phi 34$, $\phi 36$, $\phi 40$



fischer rebar anchor FRA

Size: M12, M16, M20, M24



Figures not to scale








fischer injection system FIS EM Plus

Product description

Overview system components part 2;
steel components

Annex A 5

Part	Designation	Material		
1	Injection cartridge	Mortar, hardener, filler		
	Steel grade	Steel	Stainless steel R	High corrosion resistant steel HCR
		zinc plated	acc. to EN 10088-1:2014 Corrosion resistance class CRC III acc. to EN 1993-1-4:2015	acc. to EN 10088-1:2014 Corrosion resistance class CRC V acc. to EN 1993-1-4:2015
2	Anchor rod	Property class 4.8, 5.8 or 8.8; EN ISO 898-1:2013 zinc plated $\geq 5 \mu\text{m}$, ISO 4042:2018/Zn5/An(A2K) or hot dip galvanised $\geq 40 \mu\text{m}$ EN ISO 10684:2004 $f_{uk} \leq 1000 \text{ N/mm}^2$ $A_5 > 12\%$ fracture elongation	Property class 50, 70 or 80 EN ISO 3506-1:2009 1.4401; 1.4404; 1.4578; 1.4571; 1.4439; 1.4362; 1.4062, 1.4662, 1.4462; EN 10088-1:2014 $f_{uk} \leq 1000 \text{ N/mm}^2$ $A_5 > 12\%$ fracture elongation	Property class 50 or 80 EN ISO 3506-1:2009 or property class 70 with $f_{yk} = 560 \text{ N/mm}^2$ 1.4565; 1.4529; EN 10088-1:2014 $f_{uk} \leq 1000 \text{ N/mm}^2$ $A_5 > 12\%$ fracture elongation
		Fracture elongation $A_5 > 8\%$, for applications without requirements for seismic performance category C2		
3	Washer ISO 7089:2000	zinc plated $\geq 5 \mu\text{m}$, ISO 4042:2018/Zn5/An(A2K) or hot dip galvanised $\geq 40 \mu\text{m}$ EN ISO 10684:2004	1.4401; 1.4404; 1.4578; 1.4571; 1.4439; 1.4362; EN 10088-1:2014	1.4565; 1.4529; EN 10088-1:2014
4	Hexagon nut	Property class 4, 5 or 8; EN ISO 898-2:2012 zinc plated $\geq 5 \mu\text{m}$, ISO 4042:2018/Zn5/An(A2K) or hot dip galvanised $\geq 40 \mu\text{m}$ EN ISO 10684:2004	Property class 50, 70 or 80 EN ISO 3506-1:2009 1.4401; 1.4404; 1.4578; 1.4571; 1.4439; 1.4362; EN 10088-1:2014	Property class 50, 70 or 80 EN ISO 3506-1:2009 1.4565; 1.4529 EN 10088-1:2014
5	fischer internal threaded anchor RG MI	Property class 5.8 ISO 898-1:2013 zinc plated $\geq 5 \mu\text{m}$, ISO 4042:2018/Zn5/An(A2K)	Property class 70 EN ISO 3506-1:2009 1.4401; 1.4404; 1.4578; 1.4571; 1.4439; 1.4362; EN 10088-1:2014	Property class 70 EN ISO 3506-1:2009 1.4565; 1.4529; EN 10088-1:2014
6	Commercial standard screw or threaded rod for fischer internal threaded anchor RG MI	Property class 5.8 or 8.8; EN ISO 898-1:2013 zinc plated $\geq 5 \mu\text{m}$, ISO 4042:2018/Zn5/An(A2K) $A_5 > 8\%$ fracture elongation	Property class 70 EN ISO 3506-1:2009 1.4401; 1.4404; 1.4578; 1.4571; 1.4439; 1.4362; EN 10088-1:2014 $A_5 > 8\%$ fracture elongation	Property class 70 EN ISO 3506-1:2009 1.4565; 1.4529; EN 10088-1:2014 $A_5 > 8\%$ fracture elongation
7	fischer filling disc similar to DIN 6319-G	zinc plated $\geq 5 \mu\text{m}$, ISO 4042:2018/Zn5/An(A2K) or hot dip galvanised $\geq 40 \mu\text{m}$ EN ISO 10684:2004	1.4401; 1.4404; 1.4578; 1.4571; 1.4439; 1.4362; EN 10088-1:2014	1.4565; 1.4529; EN 10088-1:2014
8	Reinforcing bar EN 1992-1-1:2004 and AC:2010, Annex C	Bars and de-coiled rods, class B or C with f_{yk} and k according to NDP or NCL according to EN 1992-1-1/NA $f_{uk} = f_{tk} = k \cdot f_{yk}$		
9	fischer rebar anchor FRA	Rebar part: Bars and de-coiled rods class B or C with f_{yk} and k according to NDP or NCL of EN 1992-1-1:2004+AC:2010 $f_{uk} = f_{tk} = k \cdot f_{yk}$	Threaded part: Property class 70 or 80 EN ISO 3506-1:2009 1.4401, 1.4404, 1.4571, 1.4578, 1.4439, 1.4362, 1.4062 acc. to EN 10088-1:2014 Corrosion resistance class CRC III acc. to EN 1993-1-4:2015 1.4565; 1.4529 acc. to EN 10088-1:2014 Corrosion resistance class CRC V acc. to EN 1993-1-4:2015	
fischer injection system FIS EM Plus				Annex A 6
Product description Materials				

Specifications of intended use (part 1)									
Table B1.1: Overview use and performance categories									
Anchorages subject to		FIS EM Plus with ...							
		Anchor rod 	fischer internal threaded anchor RG MI 	Reinforcing bar 	fischer rebar anchor FRA 				
Hammer drilling with standard drill bit 		all sizes							
Hammer drilling with hollow drill bit (fischer "FHD", Heller "Duster Expert"; Bosch "Speed Clean"; Hilti "TE-CD, TE-YD", DreBo "D-Plus", DreBo "D-Max") 		Nominal drill bit diameter (d_0) 12 mm to 35 mm							
Diamond drilling 		all sizes							
Static and quasi static load, in	uncracked concrete	all sizes	Tables: C1.1 C4.1 C5.1	all sizes	Tables: C2.1 C4.1 C7.1	all sizes	Tables: C3.1 C4.1 C9.1	all sizes	Tables: C3.2 C4.1 C11.1
	cracked concrete		C6.1 C13.1		C8.1 C13.2		C10.1 C14.1		C12.1 C14.2
Seismic performance category (only hammer drilling with standard / hollow drill bits)	C1	M10 to M30	Tables: C15.1 C16.2 C17.1	-1)	-1)	-1)	Tables: C16.1 C16.2 C17.2	-1)	-1)
	C2	M12 M16 M20 M24	Tables: C15.1 C16.2 C18.1				-1)		
Use category	I1	dry or wet concrete	all sizes						
	I2	water filled hole	all sizes (not permitted in combined with working life 100 years)						
Installation direction		D3 (downward and horizontal and upwards (e.g. overhead) installation)							
Installation temperature		$T_{i,min} = -5\text{ °C}$ to $T_{i,max} = +40\text{ °C}$							
In-service temperature	Temperature range I	-40 °C to +60 °C		(max. short term temperature +60 °C; max. long term temperature +35 °C)					
	Temperature range II	-40 °C to +72 °C		(max. short term temperature +72 °C; max. long term temperature +50 °C)					
1) no performance assessed									
fischer injection system FIS EM Plus								Annex B 1	
Intended use Specifications (part 1)									

Specifications of intended use (part 2)

Base materials:

- Compacted reinforced or unreinforced normal weight concrete without fibres of strength classes C20/25 to C50/60 according to EN 206:2013+A1:2016

Use conditions (Environmental conditions):

- Structures subject to dry internal conditions (zinc coated steel, stainless steel or high corrosion resistant steel).
- For all other conditions according to EN1993-1-4:2015 corresponding to corrosion resistance classes to Annex A 6 table A6.1.

Design:

- Anchorages have to be designed by a responsible engineer with experience of concrete anchor design.
- Verifiable calculation notes and drawings are to be prepared taking account of the loads to be anchored. The position of the anchor is indicated on the design drawings (e. g. position of the anchor relative to reinforcement or to supports, etc.).
- Anchorages are designed in accordance with:
EN 1992-4:2018 and EOTA Technical Report TR 055, Edition February 2018

Installation:

- Anchor installation is to be carried out by appropriately qualified personnel and under the supervision of the person responsible for technical matters of the site
- In case of aborted hole: The hole shall be filled with mortar
- Anchorage depth should be marked and adhered to on installation
- Overhead installation is allowed

fischer injection system FIS EM Plus

Intended use
Specifications (part 2)

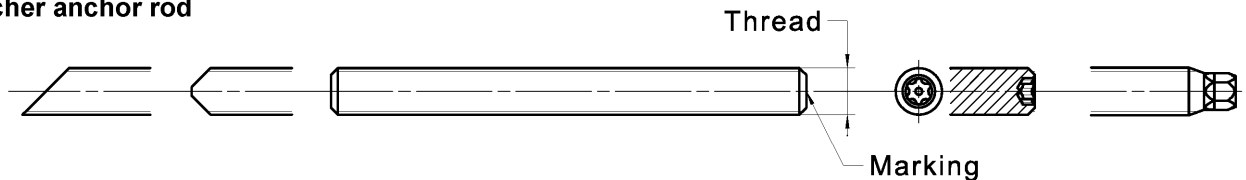
Annex B 2

Table B3.1: Installation parameters for anchor rods

Anchor rods		Thread	M8	M10	M12	M14	M16	M20	M22	M24	M27	M30
Width across flats	SW	[mm]	13	17	19	22	24	30	32	36	41	46
Nominal drill hole diameter	d_0		10	12	14	16	18	22 24 ¹⁾	25	28	30	35
Drill hole depth	h_0		$h_0 = h_{ef}$									
Effective embedment depth	$h_{ef, min}$		60	60	70	75	80	90	93	96	108	120
	$h_{ef, max}$		160	200	240	280	320	400	440	480	540	600
Diameter of the clearance hole of the fixture	pre-positioned installation d_f		9	12	14	16	18	22	24	26	30	33
	push through installation d_f		12	14	16	18	20	26	28	30	33	40
Minimum thickness of concrete member	h_{min}	$h_{ef} + 30$ (≥ 100)			$h_{ef} + 2d_0$							
Maximum installation torque	$\max T_{inst}$	[Nm]	10	20	40	50	60	120	135	150	200	300

¹⁾ Both drill hole diameters can be used

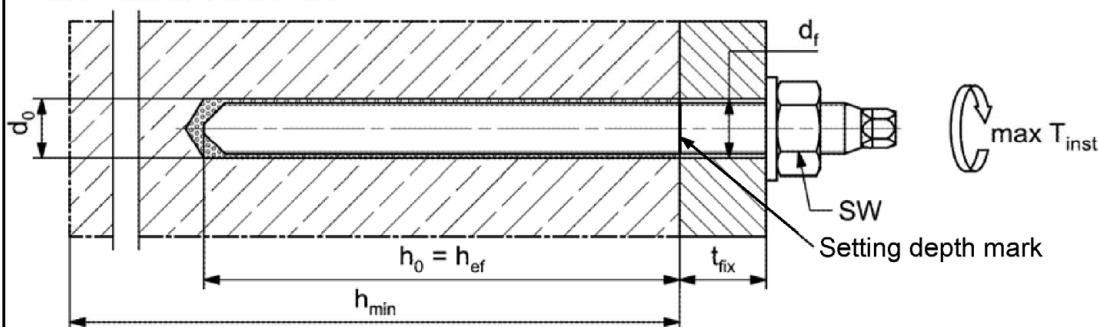
fischer anchor rod



Marking (on random place) fischer anchor rod:

Steel zinc plated PC ¹⁾ 8.8	• or +	Steel hot-dip PC ¹⁾ 8.8	•
High corrosion resistant steel HCR PC ¹⁾ 50	•	High corrosion resistant steel HCR PC ¹⁾ 70	-
High corrosion resistant steel HCR PC ¹⁾ 80	(Stainless steel R property class 50	~
Stainless steel R property class 80	*		
Alternatively: Colour coding according to DIN 976-1:2016			¹⁾ PC = property class

Installation conditions:



Commercial standard threaded rods, washers and hexagon nuts may also be used if the following requirements are fulfilled

- Materials, dimensions and mechanical properties according to Annex A 6, Table A6.1
- Inspection certificate 3.1 according to EN 10204:2004, the documents have to be stored
- Setting depth is marked

Figures not to scale

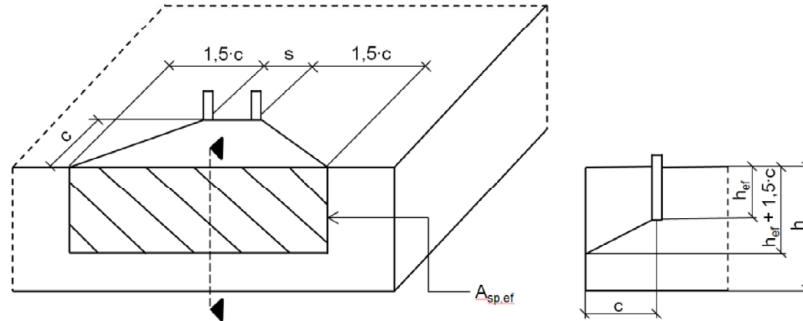
fischer injection system FIS EM Plus

Intended use
Installation parameters anchor rods

Annex B 3

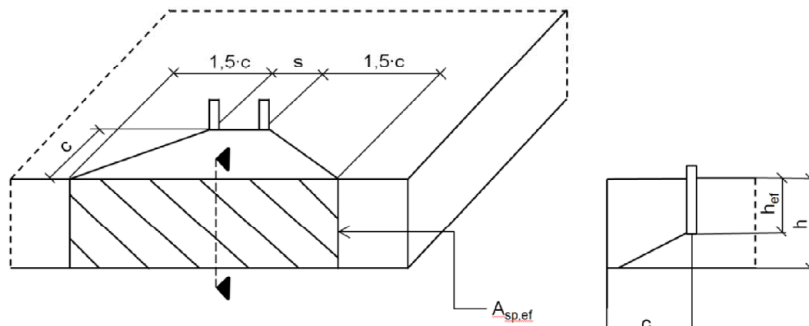
Table B4.1: Minimum spacing and minimum edge distance for anchor rods and reinforcing bars											
Anchor rods		M8	M10	M12	M14	M16	-	M20	M22	M24	
Reinforcing bars (nominal diameter) ϕ		8	10	12	14	16	18	20	22	24	
Minimum edge distance											
Uncracked / cracked concrete	C_{min}	[mm]	40	45	45	45	50	55	55	60	
Minimum spacing	S_{min}		according to Annex B5								
Minimum spacing											
Uncracked / cracked concrete	S_{min}	[mm]	40	45	55	60	65	85	85	105	
Minimum edge distance	C_{min}		according to Annex B5								
Required projecting area											
Uncracked concrete	$A_{sp,req}$	[1000 mm ²]	8	13	22	23	24	38,5	38,5	39,5	40
Cracked concrete			6,5	10	16,5	17,5	18,5	29,5	29,5	30	30,5
Anchor rods											
Reinforcing bars (nominal diameter) ϕ		-	-	M27	-	M30	-	-	-	-	
Reinforcing bars (nominal diameter) ϕ		25	26	-	28	30	32	34	36	40	
Minimum edge distance											
Uncracked / cracked concrete	C_{min}	[mm]	75	75	75	80	80	120	120	135	175
Minimum spacing	S_{min}		according to Annex B5								
Minimum spacing											
Uncracked / cracked concrete	S_{min}	[mm]	120	120	120	140	140	160	160	160	160
Minimum edge distance	C_{min}		according to Annex B5								
Required projecting area											
Uncracked concrete	$A_{sp,req}$	[1000 mm ²]	47,5	47,5	47,5	64	64	64	64	64	64
Cracked concrete			36,5	36,5	36,5	49	49	49	49	49	49
<p>Splitting failure for minimum edge distance and spacing in dependence of the effective embedment depth h_{ef}.</p> <p>For the calculation of minimum spacing and minimum edge distance of anchors in combination with different embedment depths and thicknesses of concrete members the following equation shall be fulfilled:</p> $A_{sp,req} < A_{sp,t}$ <p>$A_{sp,req}$ = required projecting area $A_{sp,t} = A_{sp,ef}$ = effective projecting area (according to Annex B5)</p>											
fischer injection system FIS EM Plus									Annex B 4		
Intended use Minimum spacing and edge distance for anchor rods and reinforcing bars											

Table B5.1: Effective projecting area $A_{sp,t}$ with concrete member thickness $h > h_{ef} + 1,5 \cdot c$ and $h \geq h_{min}$



Single anchor	$A_{sp,t} = (3 \cdot c) \cdot (h_{ef} + 1,5 \cdot c)$	$[mm^2]$	with $c \geq c_{min}$
Group of anchors with $s > 3 \cdot c$	$A_{sp,t} = (6 \cdot c) \cdot (h_{ef} + 1,5 \cdot c)$	$[mm^2]$	
Group of anchors with $s \leq 3 \cdot c$	$A_{sp,t} = (3 \cdot c + s) \cdot (h_{ef} + 1,5 \cdot c)$	$[mm^2]$	with $c \geq c_{min}$ and $s \geq s_{min}$

Table B5.2: Effektive projecting area $A_{sp,t}$ with concrete member thickness $h \leq h_{ef} + 1,5 \cdot c$ and $h \geq h_{min}$



Single anchor	$A_{sp,t} = 3 \cdot c \cdot \text{existing } h$	$[mm^2]$	with $c \geq c_{min}$
Group of anchors with $s > 3 \cdot c$	$A_{sp,t} = 6 \cdot c \cdot \text{existing } h$	$[mm^2]$	
Group of anchors with $s \leq 3 \cdot c$	$A_{sp,t} = (3 \cdot c + s) \cdot \text{existing } h$	$[mm^2]$	with $c \geq c_{min}$ and $s \geq s_{min}$

Edge distance and axial spacing shall be rounded up to at least 5 mm

Figures not to scale

fischer injection system FIS EM Plus

Intended use

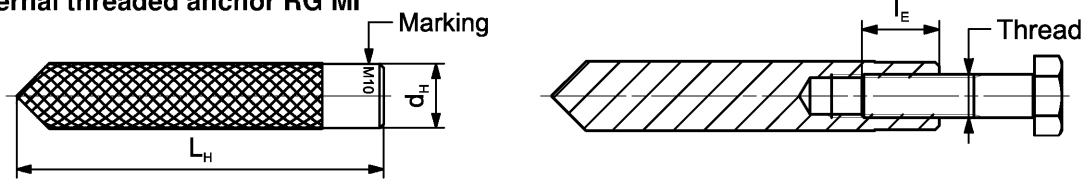
Minimum thickness of concrete member for anchor rods,
minimum spacing and edge distance

Annex B 5

Table B6.1: Installation parameters for **fischer internal threaded anchors RG MI**

Internal threaded anchors RG MI		Thread	M8	M10	M12	M16	M20
Diameter of anchor	$d_{nom} = d_H$	[mm]	12	16	18	22	28
Nominal drill hole diameter	d_0		14	18	20	24	32
Drill hole depth	h_0		$h_0 = h_{ef} = L_H$				
Effective embedment depth ($h_{ef} = L_H$)	h_{ef}		90	90	125	160	200
Minimum spacing and minimum edge distance	$S_{min} = C_{min}$		55	65	75	95	125
Diameter of clearance hole in the fixture	d_f		9	12	14	18	22
Minimum thickness of concrete member	h_{min}		120	125	165	205	260
Maximum screw-in depth	$l_{E,max}$		18	23	26	35	45
Minimum screw-in depth	$l_{E,min}$		8	10	12	16	20
Maximum installation torque	$\max T_{inst}$		[Nm]	10	20	40	80

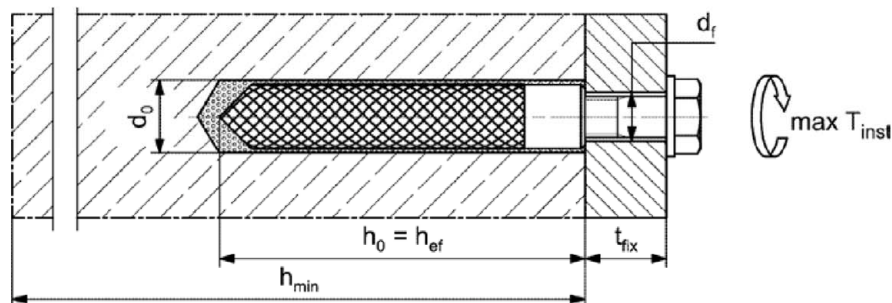
fischer internal threaded anchor RG MI



Marking: Anchor size e. g.: **M10**
Stainless steel → additional **R**; e.g.: **M10 R**
High corrosion resistant steel → additional **HCR**; e.g.: **M10 HCR**

Retaining bolt or threaded rods (including nut and washer) must comply with the appropriate material and strength class of Annex A 6, Table A6.1

Installation conditions:



Figures not to scale

fischer injection system FIS EM Plus

Intended use
Installation parameters internal threaded anchors RG MI

Annex B 6

Table B7.1: Installation parameters for reinforcing bars ¹⁾

Nominal diameter of the bar		ϕ	8 ²⁾	10 ²⁾	12 ²⁾	14	16	18	20	22	24			
Nominal drill hole diameter	d_0	[mm]	10	12	12	14	14	16	18	20	25	25	30	30
Drill hole depth	h_0		$h_0 = h_{ef}$											
Effective embedment depth	$h_{ef,min}$		60	60	70	75	80	85	90	94	98			
	$h_{ef,max}$		160	200	240	280	320	360	400	440	480			
Minimum thickness of concrete member	h_{min}		$h_{ef} + 30$ (≥ 100)				$h_{ef} + 2d_0$							

Nominal diameter of the bar		ϕ	25	26	28	30	32	34	36	40	-	
Nominal drill hole diameter	d_0	[mm]	30	35	35	40	40	40	45	55	-	
Drill hole depth	h_0		$h_0 = h_{ef}$									
Effective embedment depth	$h_{ef,min}$		100	104	112	120	128	136	144	160	-	
	$h_{ef,max}$		500	520	560	600	640	680	720	800	-	
Minimum thickness of concrete member	h_{min}		$h_{ef} + 2d_0$									

¹⁾ minimum spacing and minimum edge distance see Annex B 4

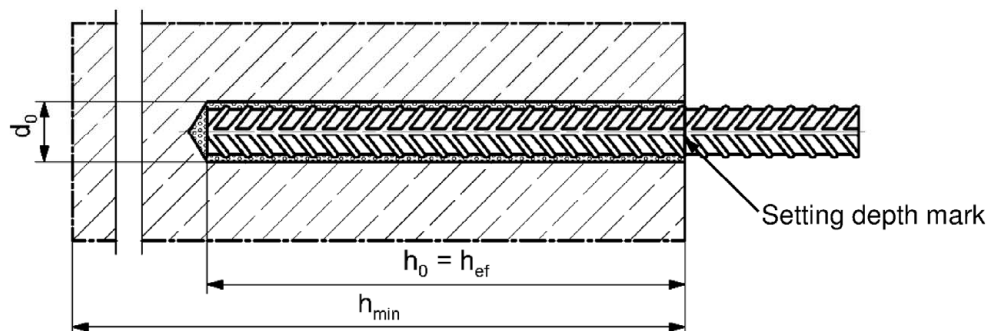
²⁾ Both drill hole diameters can be used

Reinforcing bar



- The minimum value of related rib area $f_{R,min}$ must fulfil the requirements of EN 1992-1-1:2004+AC:2010
- The rib height must be within the range: $0,05 \cdot \phi \leq h_{rib} \leq 0,07 \cdot \phi$
(ϕ = Nominal diameter of the bar, h_{rib} = rib height)

Installation conditions:



Figures not to scale

fischer injection system FIS EM Plus

Intended use
Installation parameters reinforcing bars

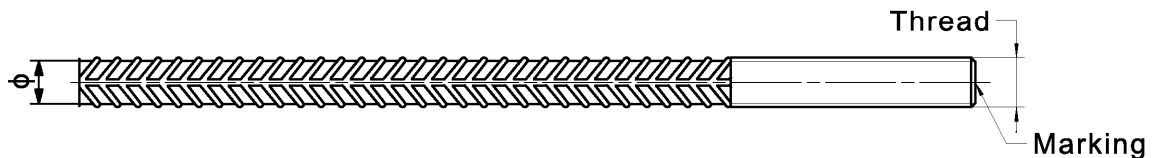
Annex B 7



Table B8.1: Installation parameters for **fischer rebar anchor FRA**

Rebar anchor FRA		Thread	M12 ¹⁾	M16	M20	M24
Nominal diameter of the bar	ϕ	[mm]	12	16	20	25
Width across flats	SW		19	24	30	36
Nominal drill hole diameter	d_0		14	16	20	30
Drill hole depth	h_0		$h_{ef} + l_e$			
Effective embedment depth	$h_{ef,min}$		70	80	90	96
	$h_{ef,max}$		140	220	300	380
Distance concrete surface to welded joint	l_e		100			
Minimum spacing and minimum edge distance	s_{min} = c_{min}		55	65	85	105
Diameter of clearance hole in the fixture	pre-positioned anchorage $\leq d_f$		14	18	22	26
	push through anchorage $\leq d_f$		18	22	26	32
Minimum thickness of concrete member	h_{min}	$h_0 + 30$	$h_0 + 2d_0$			
Maximum installation torque	$\max T_{inst}$	[Nm]	40	60	120	150

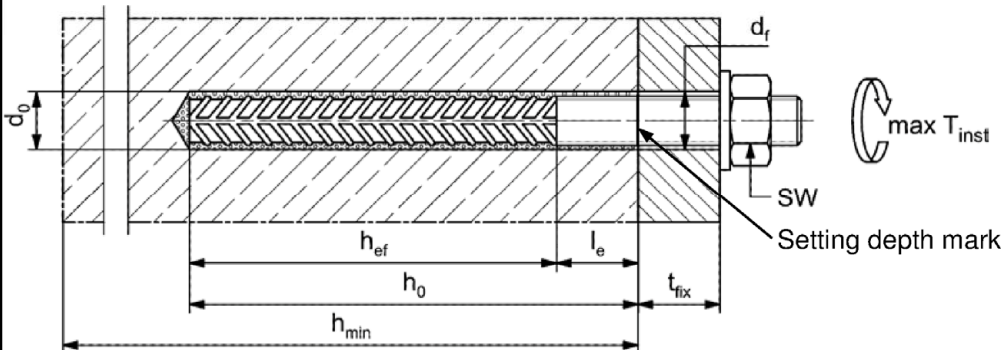
¹⁾ Both drill hole diameters can be used

fischer rebar anchor FRA



Marking frontal e. g:  FRA (for stainless steel);
 FRA HCR (for high corrosion resistant steel)

Installation conditions:



Figures not to scale

fischer injection system FIS EM Plus

Intended use
Installation parameters rebar anchor FRA

Annex B 8

Table B9.1: Parameters of the **cleaning brush BS / BSB** (steel brush with steel bristles)

The size of the cleaning brush refers to the drill hole diameter

Nominal drill hole diameter	d_0		10	12	14	16	18	20	24	25	28	30	32	35	40	45	55
Steel brush diameter BS	d_b	[mm]	11	14	16	20		25	26	27	30	40		-	-	-	
Steel brush diameter BSB	d_b		-	-	-	-		-	-	-	-	-		42	47	58	



Table B9.2 **Maximum processing time** of the mortar and **minimum curing time** (During the curing time of the mortar the concrete temperature may not fall below the listed minimum temperature)

Temperature at anchoring base [°C]	Maximum processing time t_{work}	Minimum curing time ¹⁾ t_{cure}
-5 to 0 ²⁾	240 min	200 h
> 0 to 5 ²⁾	150 min	90 h
> 5 to 10	120 min	40 h
> 10 to 20	30 min	18 h
> 20 to 30	14 min	10 h
> 30 to 40	7 min	5 h

¹⁾ In wet concrete or water filled holes the curing times must be doubled

²⁾ Minimal cartridge temperature +5°C

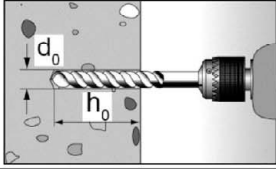
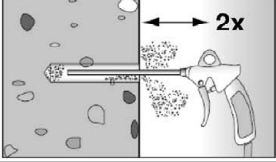

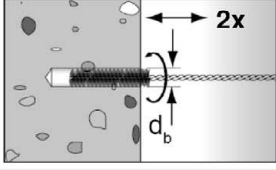
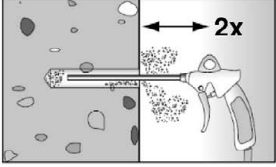

fischer injection system FIS EM Plus

Intended use
Cleaning brush (steel brush)
Processing time and curing time

Annex B 9


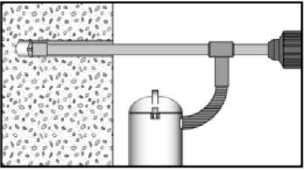
Installation instructions part 1

Drilling and cleaning the hole (hammer drilling with standard drill bit)

1		<p>Drill the hole. Nominal drill hole diameter d_0 and drill hole depth h_0 see tables B3.1, B6.1, B7.1, B8.1</p>
2		<p>Cleaning the drill hole: Blow out the drill hole twice, with oil free compressed air ($p \geq 6$ bar)</p> 
3		<p>Brush the drill hole twice. For drill hole diameter ≥ 30 mm use a power drill. For deep holes use an extension. Corresponding brushes see table B9.1</p>
4		<p>Cleaning the drill hole: Blow out the drill hole twice, with oil free compressed air ($p \geq 6$ bar)</p> 

Go to step 6

Drilling and cleaning the hole (hammer drilling with hollow drill bit)

1		<p>Check a suitable hollow drill (see table B1.1) for correct operation of the dust extraction</p>
2		<p>Use a suitable dust extraction system, e. g. fischer FVC 35 M or a comparable dust extraction system with equivalent performance data</p> <p>Drill the hole with hollow drill bit. The dust extraction system has to extract the drill dust nonstop during the drilling process and must be adjusted to maximum power. Nominal drill hole diameter d_0 and drill hole depth h_0 see tables B3.1, B6.1, B7.1, B8.1</p>

Go to step 6

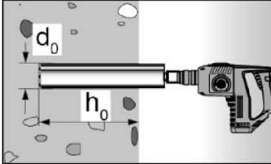
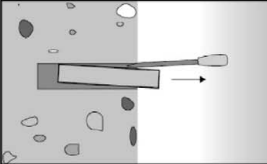
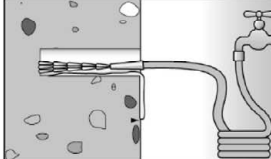
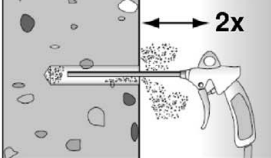
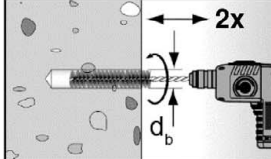
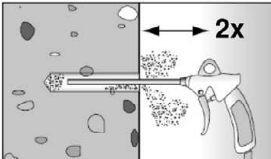
fischer injection system FIS EM Plus

Intended use
Installation instructions part 1

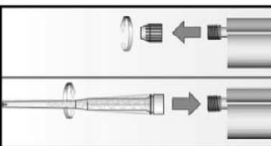

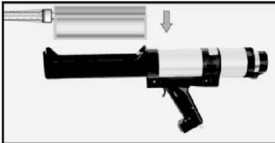


Annex B 10

Installation instructions part 2

Drilling and cleaning the hole (wet drilling with diamond drill bit)

1		<p>Drill the hole. Drill hole diameter d_0 and nominal drill hole depth h_0 see tables B3.1, B6.1, B7.1, B8.1</p>		<p>Break the drill core and remove it</p>
2		<p>Flush the drill hole with clean water until it flows clear</p>		
3		<p>Blow out the drill hole twice, using oil-free compressed air ($p > 6$ bar)</p>		
4		<p>Brush the drill hole twice using a power drill. Corresponding brushes see table B9.1</p>		
5		<p>Blow out the drill hole twice, using oil-free compressed air ($p > 6$ bar)</p>		

Preparing the cartridge

6		<p>Remove the sealing cap Screw on the static mixer (the spiral in the static mixer must be clearly visible)</p>		
7			<p>Place the cartridge into the dispenser</p>	
8			<p>Extrude approximately 10 cm of material out until the resin is evenly grey in colour. Do not use mortar that is not uniformly grey</p>	

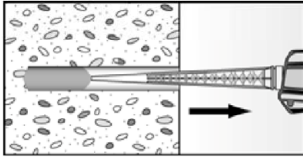
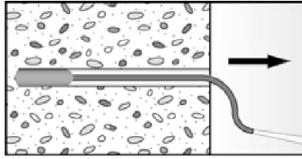
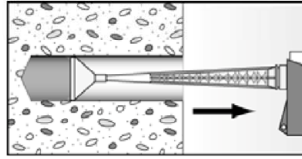
fischer injection system FIS EM Plus

Intended use
Installation instructions part 2

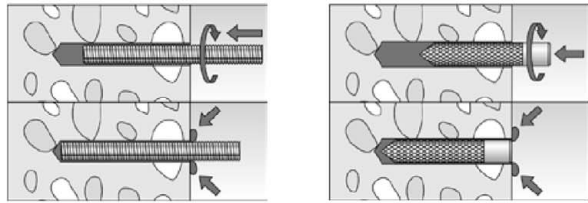
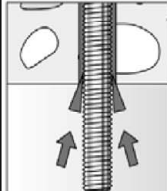
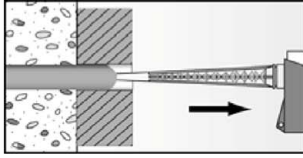

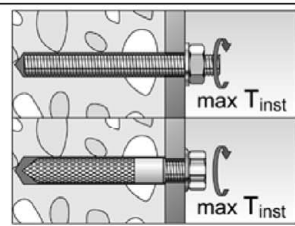
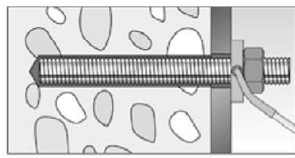
Annex B 11

Installation instructions part 3

Injection of the mortar

9			
	Fill approximately 2/3 of the drill hole with mortar. Always begin from the bottom of the hole and avoid bubbles	For drill hole depth ≥ 150 mm use an extension tube	For overhead installation, deep holes ($h_0 > 250$ mm) or drill hole diameter ($d_0 \geq 40$ mm) use an injection-adaptor

Installation of anchor rods or fischer internal threaded anchors RG MI

10		Only use clean and oil-free metal parts. Mark the setting depth of the metal parts. Push the anchor rod or fischer internal threaded RG MI anchor down to the bottom of the hole, turning it slightly while doing so. After inserting the metal part, excess mortar must be emerged around the anchor element.
	 For overhead installations support the metal part with wedges (e. g. fischer centering wedges) or fischer overhead clips.	 For push through installation fill the annular gap with mortar
11	 Wait for the specified curing time t_{cure} see table B9.2	12
		 Mounting the fixture max T_{inst} see tables B3.1 and B6.1
Option		After the minimum curing time is reached, the gap between metal part and fixture (annular clearance) may be filled with mortar via the fischer filling disc. Compressive strength ≥ 50 N/mm ² (e.g. fischer injection mortars FIS HB, FIS SB, FIS V, FIS EM Plus) ATTENTION: Using fischer filling disc reduces t_{fix} (usable length of the anchor)

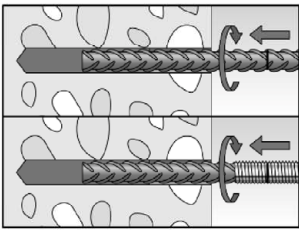
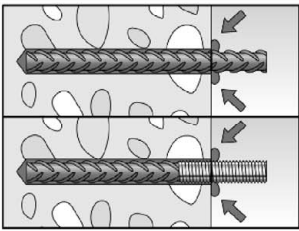

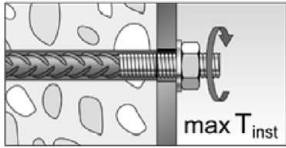
fischer injection system FIS EM Plus

Intended use
Installation instructions part 3

Annex B 12

Installation instructions part 4

Installation reinforcing bars and fischer rebar anchor FRA

10		Only use clean and oil-free reinforcing bars or fischer FRA. Mark the setting depth. Turn while using force to push the reinforcement bar or the fischer FRA into the filled hole up to the setting depth mark			
		When the setting depth mark is reached, excess mortar must be emerged from the mouth of the drill hole.			
11		Wait for the specified curing time t_{cure} see table B9.2	12		Mounting the fixture max T_{inst} see table B8.1

fischer injection system FIS EM Plus

Intended use
Installation instructions part 4

Annex B 13

Table C1.1: Characteristic values for **steel failure** under tension / shear load of **fischer anchor rods** and **standard threaded rods**

Anchor rod / standard threaded rod		M8	M10	M12	M14	M16	M20	M22	M24	M27	M30		
Bearing capacity under tension load, steel failure³⁾													
Characteristic resistance $N_{Rk,s}$	Steel zinc plated	Property class 4.8	[kN]	15(13)	23(21)	33	46	63	98	121	141	184	224
		5.8		19(17)	29(27)	43	58	79	123	152	177	230	281
		8.8		29(27)	47(43)	68	92	126	196	243	282	368	449
	Stainless steel R and high corrosion resistant steel HCR	50		19	29	43	58	79	123	152	177	230	281
		70		26	41	59	81	110	172	212	247	322	393
		80		30	47	68	92	126	196	243	282	368	449
Partial factors ¹⁾													
Partial factor $\gamma_{Ms,N}$	Steel zinc plated	Property class 4.8	[-]	1,50									
		5.8		1,50									
		8.8		1,50									
	Stainless steel R and high corrosion resistant steel HCR	50		2,86									
		70		1,50 ²⁾ / 1,87									
		80		1,60									
Bearing capacity under shear load, steel failure³⁾													
without lever arm													
Characteristic resistance $V_{Rk,s}$	Steel zinc plated	Property class 4.8	[kN]	9(8)	14(13)	20	28	38	59	73	85	110	135
		5.8		11(10)	17(16)	25	34	47	74	91	106	138	168
		8.8		15(13)	23(21)	34	46	63	98	122	141	184	225
	Stainless steel R and high corrosion resistant steel HCR	50		9	15	21	29	39	61	76	89	115	141
		70		13	20	30	40	55	86	107	124	161	197
		80		15	23	34	46	63	98	122	141	184	225
Ductility factor	k ₇	[-]	1,0										
with lever arm													
Charact. resistance $M_{Rk,s}^0$	Steel zinc plated	Property class 4.8	[Nm]	15(13)	30(27)	52	83	133	259	357	448	665	899
		5.8		19(16)	37(33)	65	104	166	324	447	560	833	1123
		8.8		30(26)	60(53)	105	167	266	519	716	896	1333	1797
	Stainless steel R and high corrosion resistant steel HCR	50		19	37	65	104	166	324	447	560	833	1123
		70		26	52	92	146	232	454	626	784	1167	1573
		80		30	60	105	167	266	519	716	896	1333	1797
Partial factors ¹⁾													
Partial factor $\gamma_{Ms,V}$	Steel zinc plated	Property class 4.8	[-]	1,25									
		5.8		1,25									
		8.8		1,25									
	Stainless steel R and high corrosion resistant steel HCR	50		2,38									
		70		1,25 ²⁾ / 1,56									
		80		1,33									
¹⁾ In absence of other national regulations ²⁾ Only admissible for high corrosion resist. steel HCR, with $f_{yk}/f_{uk} \geq 0,8$ and $A_5 > 12\%$ (e.g. fischer anchor rods) ³⁾ Values in brackets are valid for undersized threaded rods with smaller stress area A_s for hot dip galvanised standard threaded rods according to EN ISO 10684:2004+AC:2009													
fischer injection system FIS EM Plus										Annex C 1			
Performances Characteristic values for steel failure under tension / shear load of fischer anchor rods and standard threaded rods													

Table C2.1: Characteristic values for steel failure under tension / shear load of fischer internal threaded anchors RG MI									
fischer internal threaded anchors RG MI				M8	M10	M12	M16	M20	
Bearing capacity under tension load, steel failure									
Charact. resistance with screw	$N_{Rk,s}$	Property class	5.8	[kN]	19	29	43	79	123
			8.8		29	47	68	108	179
		Property class 70	R		26	41	59	110	172
			HCR		26	41	59	110	172
Partial factors¹⁾									
Partial factors	$\gamma_{Ms,N}$	Property class	5.8	[-]	1,50				
			8.8		1,50				
		Property class 70	R		1,87				
			HCR		1,87				
Bearing capacity under shear load, steel failure									
Without lever arm									
Charact. resistance with screw	$V^0_{Rk,s}$	Property class	5.8	[kN]	9,2	14,5	21,1	39,2	62,0
			8.8		14,6	23,2	33,7	54,0	90,0
		Property class 70	R		12,8	20,3	29,5	54,8	86,0
			HCR		12,8	20,3	29,5	54,8	86,0
Ductility factor			k_7	[-]	1,0				
With lever arm									
Charact. resistance with screw	$M^0_{Rk,s}$	Property class	5.8	[Nm]	20	39	68	173	337
			8.8		30	60	105	266	519
		Property class 70	R		26	52	92	232	454
			HCR		26	52	92	232	454
Partial factors¹⁾									
Partial factors	$\gamma_{Ms,V}$	Property class	5.8	[-]	1,25				
			8.8		1,25				
		Property class 70	R		1,56				
			HCR		1,56				
¹⁾ In absence of other national regulations									
fischer injection system FIS EM Plus								Annex C 2	
Performances Characteristic values for steel failure under tension / shear load of fischer internal threaded anchor RG MI									

Table C3.1: Characteristic values for steel failure under tension / shear load of reinforcing bars																		
Nominal diameter of the bar	ϕ	8	10	12	14	16	18	20	22	24	25	26	28	30	32	34	36	40
Bearing capacity under tension load, steel failure																		
Characteristic resistance	$N_{Rk,s}$	[kN]	$A_s \cdot f_{uk}^{1)}$															
Bearing capacity under shear load, steel failure																		
Without lever arm																		
Characteristic resistance	$V^0_{Rk,s}$	[kN]	$0,5 \cdot A_s \cdot f_{uk}^{1)}$															
Ductility factor	k_7	[-]	1,0															
With lever arm																		
Characteristic resistance	$M^0_{Rk,s}$	[Nm]	$1,2 \cdot W_{el} \cdot f_{uk}^{1)}$															
¹⁾ f_{uk} or f_{yk} respectively must be taken from the specifications of the reinforcing bar																		
Table C3.2: Characteristic values for steel failure under tension / shear load of fischer rebar anchors FRA																		
fischer rebar anchor FRA			M12			M16			M20			M24						
Bearing capacity under tension load, steel failure																		
Characteristic resistance	$N_{Rk,s}$	[kN]	63			111			173			270						
Partial factor¹⁾																		
Partial factor	$\gamma_{Ms,N}$	[-]	1,4															
Bearing capacity under shear load, steel failure																		
Without lever arm																		
Characteristic resistance	$V^0_{Rk,s}$	[kN]	30			55			86			124						
Ductility factor	k_7	[-]	1,0															
With lever arm																		
Characteristic resistance	$M^0_{Rk,s}$	[Nm]	92			233			454			785						
Partial factor¹⁾																		
Partial factor	$\gamma_{Ms,V}$	[-]	1,56															
¹⁾ In absence of other national regulations																		
fischer injection system FIS EM Plus															Annex C 3			
Performances Characteristic values for steel failure under tension / shear load of reinforcing bars and fischer rebar anchors FRA																		

Table C4.1: Characteristic values for concrete failure under tension / shear load																				
Size		All sizes																		
Tension load																				
Installation factor		γ_{inst}	[-]		See annex C 5 to C 12 and C 17 to C 18															
Factors for the compressive strength of concrete > C20/25																				
Increasing factor for τ_{Rk}	C25/30		Ψ_c	[-]	1,02															
	C30/37				1,04															
	C35/45				1,06															
	C40/50				1,07															
	C45/55				1,08															
	C50/60				1,09															
Splitting failure																				
Edge distance	$h / h_{ef} \geq 2,0$		$C_{cr,sp}$	[mm]	1,0 h_{ef}															
	$2,0 > h / h_{ef} > 1,3$				4,6 $h_{ef} - 1,8 h$															
	$h / h_{ef} \leq 1,3$				2,26 h_{ef}															
Spacing		$S_{cr,sp}$		2 $C_{cr,sp}$																
Concrete cone failure																				
Uncracked concrete		$k_{ucr,N}$		[-]	11,0															
Cracked concrete		$k_{cr,N}$			7,7															
Edge distance		$C_{cr,N}$		[mm]	1,5 h_{ef}															
Spacing		$S_{cr,N}$			2 $C_{cr,N}$															
Factors for sustained tension load																				
Factor		Ψ_{sus}^0		[-]		-1)														
Shear load																				
Installation factor		γ_{inst}		[-]		1,0														
Concrete pry-out failure																				
Factor for pry-out failure		k_B		[-]		2,0														
Concrete edge failure																				
Effective length of fastener in shear loading		l_f		[mm]		for $d_{nom} \leq 24$ mm: min (h_{ef} ; 12 d_{nom}) for $d_{nom} > 24$ mm: min (h_{ef} ; 8 d_{nom} ; 300 mm)														
Calculation diameters																				
Size				M8	M10	M12	M14	M16	M20	M22	M24	M27	M30							
fischer anchor rods and standard threaded rods		d_{nom}		8	10	12	14	16	20	22	24	27	30							
fischer internal threaded anchors RG MI		d_{nom}		12	16	18	-2)	22	28	-2)	-2)	-2)	-2)							
fischer rebar anchor FRA		d_{nom}		-2)	-2)	12	-2)	16	20	-2)	25	-2)	-2)							
Size (nominal diameter of the bar)		ϕ		8	10	12	14	16	18	20	22	24	25	26	28	30	32	34	36	40
Reinforcing bar		d_{nom}		8	10	12	14	16	18	20	22	24	25	26	28	30	32	34	36	40
¹⁾ No performance assessed ²⁾ Anchor type not part of the ETA																				
fischer injection system FIS EM Plus											Annex C 4									
Performances Characteristic values for concrete failure under tension / shear load																				

Table C5.1: Characteristic values for combined pull-out and concrete failure for fischer anchor rods and standard threaded rods in hammer or diamond drilled holes; uncracked or cracked concrete; working life 50 years													
Anchor rod / standard threaded rod		M8	M10	M12	M14	M16	M20	M22	M24	M27	M30		
Combined pullout and concrete cone failure													
Calculation diameter	d	[mm]	8	10	12	14	16	20	22	24	27	30	
Uncracked concrete													
Characteristic bond resistance in uncracked concrete C20/25													
<u>Hammer-drilling with standard drill bit or hollow drill bit (dry or wet concrete)</u>													
Temperature range	I: 35 °C / 60 °C		$\tau_{Rk,ucr}$	[N/mm ²]	18	18	18	17	17	16	15	15	14
	II: 50 °C / 72 °C				18	17	17	16	16	15	14	14	14
<u>Hammer-drilling with standard drill bit or hollow drill bit (water filled hole)</u>													
Temperature range	I: 35 °C / 60 °C		$\tau_{Rk,ucr}$	[N/mm ²]	16	16	15	13	13	11	11	10	9
	II: 50 °C / 72 °C				15	14	14	13	12	11	10	10	9
<u>Diamond-drilling (dry or wet concrete as well as water filled hole)</u>													
Temperature range	I: 35 °C / 60 °C		$\tau_{Rk,ucr}$	[N/mm ²]	16	15	13	12	12	10	10	10	9
	II: 50 °C / 72 °C				15	14	12	11	11	10	9	9	8
Installation factors													
Dry or wet concrete		γ_{inst}	[-]	1,0									
Water filled hole				1,4									
Cracked concrete													
Characteristic bond resistance in cracked concrete C20/25													
<u>Hammer-drilling with standard drill bit or hollow drill bit (dry or wet concrete)</u>													
Temperature range	I: 35 °C / 60 °C		$\tau_{Rk,cr}$	[N/mm ²]	7,5	7,5	9	8,5	8,5	8,5	8,5	8,5	8,5
	II: 50 °C / 72 °C				7,5	7,5	9	8,5	8,5	8,5	8,5	8,5	8,5
<u>Diamond - drilling (dry or wet concrete)</u>													
Temperature range	I: 35 °C / 60 °C		$\tau_{Rk,cr}$	[N/mm ²]	7	7	7	7	6	6	7	7	7
	II: 50 °C / 72 °C				7	7	7	7	6	6	7	7	7
<u>Hammer-drilling with standard drill bit or hollow drill bit and diamond-drilling (water filled hole)</u>													
Temperature range	I: 35 °C / 60 °C		$\tau_{Rk,cr}$	[N/mm ²]	6	7,5	7,5	7	6	6	6	6	6
	II: 50 °C / 72 °C				6	7	7	7	6	6	6	6	6
Installation factors													
Dry or wet concrete		γ_{inst}	[-]	1,0									
Water filled hole				1,2				1,4					
fischer injection system FIS EM Plus											Annex C 5		
Performances Characteristic values for combined pull-out and concrete failure for fischer anchor rod and standard threaded rods; working life 50 years													

Table C6.1: Characteristic values for combined pull-out and concrete failure for fischer anchor rods and standard threaded rods in hammer or diamond drilled holes; uncracked or cracked concrete; working life 100 years														
Anchor rod / standard threaded rod		M8	M10	M12	M14	M16	M20	M22	M24	M27	M30			
Combined pullout and concrete cone failure														
Calculation diameter	d	[mm]	8	10	12	14	16	20	22	24	27	30		
Uncracked concrete														
Characteristic bond resistance in uncracked concrete C20/25														
<u>Hammer-drilling with standard drill bit or hollow drill bit (dry or wet concrete)</u>														
Temperature range	I: 35 °C / 60 °C		$\tau_{Rk,ucr}$	[N/mm ²]	18	18	18	17	17	16	15	15	15	14
	II: 50 °C / 72 °C				18	17	17	16	16	15	14	14	14	14
<u>Diamond-drilling (dry or wet concrete)</u>														
Temperature range	I: 35 °C / 60 °C		$\tau_{Rk,ucr}$	[N/mm ²]	16	15	13	12	12	10	10	10	9	9
	II: 50 °C / 72 °C				15	14	12	11	11	10	9	9	8	8
Installation factors														
Dry or wet concrete	γ_{inst}	[-]	1,0											
Working life 100 years	I: 35 °C / 60 °C		$\alpha_{100\ years}$	[-]	0,75	0,75	0,75	0,75	0,75	0,75	0,75	0,75	0,75	0,75
	II: 50 °C / 72 °C				0,55	0,60	0,60	0,65	0,65	0,65	0,65	0,65	0,65	0,65
Cracked concrete														
Characteristic bond resistance in cracked concrete C20/25														
<u>Hammer-drilling with standard drill bit or hollow drill bit (dry or wet concrete)</u>														
Temperature range	I: 35 °C / 60 °C		$\tau_{Rk,cr}$	[N/mm ²]	7,5	7,5	9	8,5	8,5	8,5	8,5	8,5	8,5	8,5
	II: 50 °C / 72 °C				7,5	7,5	9	8,5	8,5	8,5	8,5	8,5	8,5	8,5
<u>Diamond - drilling (dry or wet concrete)</u>														
Temperature range	I: 35 °C / 60 °C		$\tau_{Rk,cr}$	[N/mm ²]	7	7	7	7	6	6	7	7	7	7
	II: 50 °C / 72 °C				7	7	7	7	6	6	7	7	7	7
Installation factors														
Dry or wet concrete	γ_{inst}	[-]	1,0											
Working life 100 years	I: 35 °C / 60 °C		$\alpha_{100\ years}$	[-]	0,60	0,85	0,80	0,65	0,65	0,65	0,65	0,65	0,65	0,65
	II: 50 °C / 72 °C				0,60	0,85	0,80	0,65	0,65	0,65	0,65	0,65	0,65	0,65
<p>1) Calculation of characteristic bond resistance in uncracked concrete $\tau_{Rk,100,ucr}$:</p> $\tau_{Rk,100,ucr} = \alpha_{100\ years} \cdot \tau_{Rk,ucr}$ <p>2) Calculation of characteristic bond resistance in cracked concrete $\tau_{Rk,100,cr}$:</p> $\tau_{Rk,100,cr} = \alpha_{100\ years} \cdot \tau_{Rk,cr}$														
fischer injection system FIS EM Plus										Annex C 6				
Performances Characteristic values for combined pull-out and concrete failure for fischer anchor rod and standard threaded rods; working life 100 years														

Table C7.1: Characteristic values for combined pull-out and concrete failure for fischer internal threaded anchors RG MI in hammer or diamond drilled holes; uncracked or cracked concrete; working life 50 years								
Internal threaded anchor RG MI			M8	M10	M12	M16	M20	
Combined pullout and concrete cone failure								
Calculation diameter	d	[mm]	12	16	18	22	28	
Uncracked concrete								
Characteristic bond resistance in uncracked concrete C20/25								
<u>Hammer-drilling with standard drill bit or hollow drill bit (dry or wet concrete)</u>								
Temperature range	I: 35 °C / 60 °C		$\tau_{Rk,ucr}$ [N/mm ²]	15	14	14	13	12
	II: 50 °C / 72 °C			14	13	13	12	11
<u>Hammer-drilling with standard drill bit or hollow drill bit (water filled hole)</u>								
Temperature range	I: 35 °C / 60 °C		$\tau_{Rk,ucr}$ [N/mm ²]	14	12	12	11	10
	II: 50 °C / 72 °C			13	12	11	10	9
<u>Diamond-drilling (dry or wet concrete as well as water filled hole)</u>								
Temperature range	I: 35 °C / 60 °C		$\tau_{Rk,ucr}$ [N/mm ²]	13	12	11	10	9
	II: 50 °C / 72 °C			12	11	10	9	8
Installation factors								
Dry or wet concrete	γ_{inst}	[-]	1,0					
Water filled hole			1,4					
Cracked concrete								
Characteristic bond resistance in cracked concrete C20/25								
<u>Hammer-drilling with standard drill bit or hollow drill bit and diamond-drilling (dry or wet concrete)</u>								
Temperature range	I: 35 °C / 60 °C		$\tau_{Rk,cr}$ [N/mm ²]	7	6	6	7	7
	II: 50 °C / 72 °C			7	6	6	7	7
<u>Hammer-drilling with standard drill bit or hollow drill bit and diamond-drilling (water filled hole)</u>								
Temperature range	I: 35 °C / 60 °C		$\tau_{Rk,cr}$ [N/mm ²]	7	6,5	6	6	6
	II: 50 °C / 72 °C			7	6	6	6	6
Installation factors								
Dry or wet concrete	γ_{inst}	[-]	1,0					
Water filled hole			1,2			1,4		
fischer injection system FIS EM Plus							Annex C 7	
Performances Characteristic values for combined pull-out and concrete failure for fischer internal threaded anchors RG MI; working life 50 years								

Table C8.1: Characteristic values for combined pull-out and concrete failure for fischer internal threaded anchors RG MI in hammer or diamond drilled holes; uncracked or cracked concrete; working life 100 years								
Internal threaded anchor RG MI			M8	M10	M12	M16	M20	
Combined pullout and concrete cone failure								
Calculation diameter	d	[mm]	12	16	18	22	28	
Uncracked concrete								
Characteristic bond resistance in uncracked concrete C20/25								
<u>Hammer-drilling with standard drill bit or hollow drill bit (dry or wet concrete)</u>								
Temperature range	I: 35 °C / 60 °C		$\tau_{Rk,ucr}$ [N/mm ²]	15	14	14	13	12
	II: 50 °C / 72 °C			14	13	13	12	11
<u>Diamond-drilling (dry or wet concrete)</u>								
Temperature range	I: 35 °C / 60 °C		$\tau_{Rk,ucr}$ [N/mm ²]	13	12	11	10	9
	II: 50 °C / 72 °C			12	11	10	9	8
Installation factors								
Dry or wet concrete		γ_{inst}	[-]	1,0				
Working life 100 years	I: 35 °C / 60 °C		$\alpha_{100\ years}$	[-]	0,75	0,75	0,75	0,75
	II: 50 °C / 72 °C				0,55	0,60	0,60	0,65
Cracked concrete								
Characteristic bond resistance in cracked concrete C20/25								
<u>Hammer-drilling with standard drill bit or hollow drill bit and diamond-drilling (dry or wet concrete)</u>								
Temperature range	I: 35 °C / 60 °C		$\tau_{Rk,cr}$ [N/mm ²]	7	6	6	7	7
	II: 50 °C / 72 °C			7	6	6	7	7
Installation factors								
Dry or wet concrete		γ_{inst}	[-]	1,0				
Working life 100 years	I: 35 °C / 60 °C		$\alpha_{100\ years}$	[-]	0,60	0,85	0,80	0,65
	II: 50 °C / 72 °C				0,60	0,85	0,80	0,65
<p>1) Calculation of characteristic bond resistance in uncracked concrete $\tau_{Rk,100, ucr}$:</p> $\tau_{Rk,100, ucr} = \alpha_{100\ years} \cdot \tau_{Rk,ucr}$ <p>2) Calculation of characteristic bond resistance in cracked concrete $\tau_{Rk,100, cr}$:</p> $\tau_{Rk,100, cr} = \alpha_{100\ years} \cdot \tau_{Rk,cr}$								
fischer injection system FIS EM Plus							Annex C 8	
Performances Characteristic values for combined pull-out and concrete failure for fischer internal threaded anchors RG MI; working life 100 years								

Table C9.1: Characteristic values for combined pull-out and concrete failure for reinforcing bars in hammer or diamond drilled holes; uncracked or cracked concrete; working life 50 years																					
Nominal diameter of the bar		ϕ	8	10	12	14	16	18	20	22	24	25	26	28	30	32	34	36	40		
Combined pullout and concrete cone failure																					
Calculation diameter		d	[mm]	8	10	12	14	16	18	20	22	24	25	26	28	30	32	34	36	40	
Uncracked concrete																					
Characteristic bond resistance in uncracked concrete C20/25																					
Hammer-drilling with standard drill bit or hollow drill bit (dry or wet concrete)																					
Tem- perature range	I: 35 °C / 60 °C		$\tau_{Rk,ucr}$	[N/mm ²]	16	15	15	14	14	13	13	13	12	12	12	12	12	11	11	11	
	II: 50 °C / 72 °C				15	14	14	13	13	12	12	12	12	11	11	11	11	11	11	11	10
Hammer-drilling with standard drill bit or hollow drill bit (water filled hole)																					
Tem- perature range	I: 35 °C / 60 °C		$\tau_{Rk,ucr}$	[N/mm ²]	16	16	14	13	12	12	11	11	10	10	10	10	9	9	9	8	8
	II: 50 °C / 72 °C				15	14	13	12	12	11	11	10	10	9	9	9	9	9	8	8	8
Diamond-drilling (dry or wet concrete as well as water filled hole)																					
Tem- perature range	I: 35 °C / 60 °C		$\tau_{Rk,ucr}$	[N/mm ²]	16	15	13	12	12	11	10	10	10	9	9	9	9	8	8	8	7
	II: 50 °C / 72 °C				15	14	12	11	11	10	10	9	9	9	8	8	8	8	8	7	7
Installation factors																					
Dry or wet concrete		γ_{inst}	[-]															1,0			
Water filled hole																		1,4			
Cracked concrete																					
Characteristic bond resistance in cracked concrete C20/25																					
Hammer-drilling with standard drill bit or hollow drill bit (dry or wet concrete)																					
Tem- perature range	I: 35 °C / 60 °C		$\tau_{Rk,cr}$	[N/mm ²]	7	7	8	8	8	8	8	8	8	8	8	8	8	8	8	8	
	II: 50 °C / 72 °C				7	7	8	8	8	8	8	8	8	8	8	8	8	8	8	8	8
Diamond-drilling (dry or wet concrete)																					
Tem- perature range	I: 35 °C / 60 °C		$\tau_{Rk,cr}$	[N/mm ²]	7	7	7	7	6	6	6	7	7	7	7	7	5	5	5	5	
	II: 50 °C / 72 °C				7	7	7	7	6	6	6	6	7	7	7	7	7	5	5	5	5
Hammer-drilling with standard drill bit or hollow drill bit and diamond-drilling (water filled hole)																					
Tem- perature range	I: 35 °C / 60 °C		$\tau_{Rk,cr}$	[N/mm ²]	6	7,5	6,5	6,5	6,5	6	6	6	6	6	6	6	5	5	5	5	
	II: 50 °C / 72 °C				6	6,5	6,5	6	6	6	6	6	6	6	6	6	6	5	5	5	5
Installation factors																					
Dry or wet concrete		γ_{inst}	[-]															1,0			
Water filled hole				1,2														1,4			
fischer injection system FIS EM Plus																					
Performances Characteristic values for combined pull-out and concrete failure for reinforcing bars; working life 50 years																					
Annex C 9																					

Table C10.1: Characteristic values for **combined pull-out** and concrete failure for **reinforcing bars** in hammer or diamond drilled holes; **uncracked or cracked concrete; working life 100 years**

Nominal diameter of the bar ϕ		8	10	12	14	16	18	20	22	24	25	26	28	30	32	34	36	40	
Combined pullout and concrete cone failure																			
Calculation diameter d		[mm]	8	10	12	14	16	18	20	22	24	25	26	28	30	32	34	36	40
Uncracked concrete																			
Characteristic bond resistance in uncracked concrete C20/25																			
<u>Hammer-drilling with standard drill bit or hollow drill bit (dry or wet concrete)</u>																			
Tem- perature range	I: 35 °C / 60 °C		$\tau_{Rk,ucr}$	[N/mm ²]	16	15	15	14	14	13	13	13	12	12	12	12	11	11	11
	II: 50 °C / 72 °C				15	14	14	13	13	12	12	12	12	11	11	11	11	11	11
<u>Diamond-drilling (dry or wet concrete)</u>																			
Tem- perature range	I: 35 °C / 60 °C		$\tau_{Rk,ucr}$	[N/mm ²]	16	15	13	12	12	11	10	10	10	9	9	9	8	8	8
	II: 50 °C / 72 °C				15	14	12	11	11	10	10	9	9	9	8	8	8	8	7
Installation factors																			
Dry or wet concrete		γ_{inst}	[-]	1,0															
Working life 100 years	I: 35 °C / 60 °C		$\alpha_{100\text{ years}}$	[-]	0,75	0,75	0,75	0,75	0,75	0,75	0,75	0,75	0,75	0,75	0,75	0,75	0,75	0,75	0,75
	II: 50 °C / 72 °C				0,55	0,60	0,60	0,65	0,65	0,65	0,65	0,65	0,65	0,65	0,65	0,65	0,65	0,65	0,65
Cracked concrete																			
Characteristic bond resistance in cracked concrete C20/25																			
<u>Hammer-drilling with standard drill bit or hollow drill bit (dry or wet concrete)</u>																			
Tem- perature range	I: 35 °C / 60 °C		$\tau_{Rk,cr}$	[N/mm ²]	7	7	8	8	8	8	8	8	8	8	8	8	8	8	8
	II: 50 °C / 72 °C				7	7	8	8	8	8	8	8	8	8	8	8	8	8	8
<u>Diamond-drilling (dry or wet concrete)</u>																			
Tem- perature range	I: 35 °C / 60 °C		$\tau_{Rk,cr}$	[N/mm ²]	7	7	7	7	6	6	6	7	7	7	7	7	5	5	5
	II: 50 °C / 72 °C				7	7	7	7	6	6	6	7	7	7	7	7	7	5	5
Installation factors																			
Dry or wet concrete		γ_{inst}	[-]	1,0															
Working life 100 years	I: 35 °C / 60 °C		$\alpha_{100\text{ years}}$	[-]	0,60	0,85	0,80	0,65	0,65	0,65	0,65	0,65	0,65	0,65	0,65	0,65	0,65	0,65	0,65
	II: 50 °C / 72 °C				0,60	0,85	0,80	0,65	0,65	0,65	0,65	0,65	0,65	0,65	0,65	0,65	0,65	0,65	0,65

1) Calculation of characteristic bond resistance in uncracked concrete $\tau_{Rk,100,ucr}$:

$$\tau_{Rk,100,ucr} = \alpha_{100\text{ years}} \cdot \tau_{Rk,ucr}$$

2) Calculation of characteristic bond resistance in cracked concrete $\tau_{Rk,100,cr}$:

$$\tau_{Rk,100,cr} = \alpha_{100\text{ years}} \cdot \tau_{Rk,cr}$$

fischer injection system FIS EM Plus

Performances

Characteristic values for combined pull-out and concrete failure for reinforcing bars;
working life 100 years

Annex C 10

Table C11.1: Characteristic values for **combined pull-out** and concrete failure for **fischer rebar anchors FRA** in hammer or diamond drilled holes; **uncracked or cracked concrete; working life 50 years**

fischer rebar anchor FRA			M12	M16	M20	M24
Combined pullout and concrete cone failure						
Calculation diameter	d	[mm]	12	16	20	25
Uncracked concrete						
Characteristic bond resistance in uncracked concrete C20/25						
<u>Hammer-drilling with standard drill bit or hollow drill bit (dry or wet concrete)</u>						
Tem- perature range	I: 35 °C / 60 °C		$\tau_{Rk,ucr}$	[N/mm ²]		
	II: 50 °C / 72 °C					
					15	14
					14	13
					13	12
					12	12
<u>Hammer-drilling with standard drill bit or hollow drill bit (water filled hole)</u>						
Tem- perature range	I: 35 °C / 60 °C		$\tau_{Rk,ucr}$	[N/mm ²]		
	II: 50 °C / 72 °C					
					14	12
					13	12
					11	11
					11	10
					10	9
<u>Diamond-drilling (dry or wet concrete as well as water filled hole)</u>						
Tem- perature range	I: 35 °C / 60 °C		$\tau_{Rk,ucr}$	[N/mm ²]		
	II: 50 °C / 72 °C					
					13	12
					12	11
					10	10
					10	9
Installation factors						
Dry or wet concrete			γ_{inst}	[-]	1,0	
Water filled hole					1,4	
Cracked concrete						
Characteristic bond resistance in cracked concrete C20/25						
<u>Hammer-drilling with standard drill bit or hollow drill bit and diamond-drilling (dry or wet concrete)</u>						
Tem- perature range	I: 35 °C / 60 °C		$\tau_{Rk,cr}$	[N/mm ²]		
	II: 50 °C / 72 °C					
					8	8
					8	8
					8	8
					8	8
<u>Hammer-drilling with standard drill bit or hollow drill bit and diamond-drilling (water filled hole)</u>						
Tem- perature range	I: 35 °C / 60 °C		$\tau_{Rk,cr}$	[N/mm ²]		
	II: 50 °C / 72 °C					
					7	6
					7	6
					6	6
					6	6
Installation factors						
Dry or wet concrete			γ_{inst}	[-]	1,0	
Water filled hole					1,2	1,4
fischer injection system FIS EM Plus						Annex C 11
Performances Characteristic values for combined pull-out and concrete failure for fischer rebar anchors FRA; working life 50 years						

Table C12.1: Characteristic values for combined pull-out and concrete failure for fischer rebar anchors FRA in hammer or diamond drilled holes; uncracked or cracked concrete; working life 100 years						
fischer rebar anchor FRA		M12	M16	M20	M24	
Combined pullout and concrete cone failure						
Calculation diameter	d	[mm]	12	16	20	25
Uncracked concrete						
Characteristic bond resistance in uncracked concrete C20/25						
<u>Hammer-drilling with standard drill bit or hollow drill bit (dry or wet concrete)</u>						
Temperature range	I: 35 °C / 60 °C	$\tau_{Rk,ucr}$ [N/mm ²]	15	14	13	12
	II: 50 °C / 72 °C		14	13	12	12
<u>Diamond-drilling (dry or wet concrete)</u>						
Temperature range	I: 35 °C / 60 °C	$\tau_{Rk,ucr}$ [N/mm ²]	13	12	10	9
	II: 50 °C / 72 °C		12	11	10	9
Installation factors						
Dry or wet concrete	γ_{inst}	[-]	1,0			
Working life 100 years	I: 35 °C / 60 °C	$\alpha_{100\text{ years}}$ [N/mm ²]	0,75	0,75	0,75	0,75
	II: 50 °C / 72 °C		0,60	0,65	0,65	0,65
Cracked concrete						
Characteristic bond resistance in cracked concrete C20/25						
<u>Hammer-drilling with standard drill bit or hollow drill bit and diamond-drilling (dry or wet concrete)</u>						
Temperature range	I: 35 °C / 60 °C	$\tau_{Rk,cr}$ [N/mm ²]	8	8	8	8
	II: 50 °C / 72 °C		8	8	8	8
Installation factors						
Dry or wet concrete	γ_{inst}	[-]	1,0			
Working life 100 years	I: 35 °C / 60 °C	$\alpha_{100\text{ years}}$ [-]	0,80	0,65	0,65	0,65
	II: 50 °C / 72 °C		0,80	0,65	0,65	0,65
<p>1) Calculation of characteristic bond resistance in uncracked concrete $\tau_{Rk,100,ucr}$:</p> $\tau_{Rk,100,ucr} = \alpha_{100\text{ years}} \cdot \tau_{Rk,ucr}$ <p>2) Calculation of characteristic bond resistance in cracked concrete $\tau_{Rk,100,cr}$:</p> $\tau_{Rk,100,cr} = \alpha_{100\text{ years}} \cdot \tau_{Rk,cr}$						
fischer injection system FIS EM Plus					Annex C 12	
Performances Characteristic values for pull-out and concrete failure for fischer rebar anchors FRA; working life 100 years						

Table C13.1: Displacements for anchor rods											
Anchor rod		M8	M10	M12	M14	M16	M20	M22	M24	M27	M30
Displacement-Factors for tension load¹⁾											
Uncracked or cracked concrete; Temperature range I, II											
δ_{N0} -Factor	[mm/(N/mm ²)]	0,07	0,08	0,09	0,09	0,10	0,11	0,11	0,12	0,12	0,13
$\delta_{N\infty}$ -Factor		0,11	0,12	0,13	0,14	0,15	0,16	0,17	0,18	0,19	0,19
Displacement-Factors for shear load²⁾											
Uncracked or cracked concrete; Temperature range I, II											
δ_{V0} -Factor	[mm/kN]	0,18	0,15	0,12	0,10	0,09	0,07	0,07	0,06	0,05	0,05
$\delta_{V\infty}$ -Factor		0,27	0,22	0,18	0,16	0,14	0,11	0,10	0,09	0,08	0,07
¹⁾ Calculation of effective displacement: $\delta_{N0} = \delta_{N0\text{-Factor}} \cdot \tau_{Ed}$ $\delta_{N\infty} = \delta_{N\infty\text{-Factor}} \cdot \tau_{Ed}$ (τ_{Ed} : Design value of the applied tensile stress)						²⁾ Calculation of effective displacement: $\delta_{V0} = \delta_{V0\text{-Factor}} \cdot V_{Ed}$ $\delta_{V\infty} = \delta_{V\infty\text{-Factor}} \cdot V_{Ed}$ (V_{Ed} : Design value of the applied shear force)					
Table C13.2: Displacements for fischer internal threaded anchors RG MI											
Internal threaded anchor RG MI		M8	M10	M12	M16	M20					
Displacement-Factors for tension load¹⁾											
Uncracked or cracked concrete; Temperature range I, II											
δ_{N0} -Factor	[mm/(N/mm ²)]	0,09	0,10	0,10	0,11	0,13					
$\delta_{N\infty}$ -Factor		0,13	0,15	0,16	0,17	0,19					
Displacement-Factors for shear load²⁾											
Uncracked or cracked concrete; Temperature range I, II											
δ_{V0} -Factor	[mm/kN]	0,12	0,09	0,08	0,07	0,05					
$\delta_{V\infty}$ -Factor		0,18	0,14	0,12	0,10	0,08					
¹⁾ Calculation of effective displacement: $\delta_{N0} = \delta_{N0\text{-Factor}} \cdot \tau_{Ed}$ $\delta_{N\infty} = \delta_{N\infty\text{-Factor}} \cdot \tau_{Ed}$ (τ_{Ed} : Design value of the applied tensile stress)						²⁾ Calculation of effective displacement: $\delta_{V0} = \delta_{V0\text{-Factor}} \cdot V_{Ed}$ $\delta_{V\infty} = \delta_{V\infty\text{-Factor}} \cdot V_{Ed}$ (V_{Ed} : Design value of the applied shear force)					
fischer injection system FIS EM Plus										Annex C 13	
Performances Displacements for anchor rods and fischer internal threaded anchors RG MI											

Table C14.1: Displacements for reinforcing bars

Nominal diameter of the bar ϕ	8	10	12	14	16	18	20	22	24	25	26	28	30	32	34	36	40
Displacement-Factors for tension load¹⁾																	
Uncracked or cracked concrete; Temperature range I, II																	
δ_{N0} -Factor	[mm/(N/mm ²)]																
	0,07	0,08	0,09	0,09	0,10	0,10	0,11	0,11	0,12	0,12	0,12	0,13	0,13	0,13	0,14	0,14	0,15
$\delta_{N\infty}$ -Factor	0,11	0,12	0,13	0,14	0,15	0,16	0,16	0,17	0,18	0,18	0,18	0,19	0,19	0,20	0,20	0,21	0,22
Displacement-Factors for shear load²⁾																	
Uncracked or cracked concrete; Temperature range I, II																	
δ_{V0} -Factor	[mm/kN]																
	0,18	0,15	0,12	0,10	0,09	0,08	0,07	0,07	0,06	0,06	0,06	0,05	0,05	0,05	0,04	0,04	0,04
$\delta_{V\infty}$ -Factor	0,27	0,22	0,18	0,16	0,14	0,12	0,11	0,10	0,09	0,09	0,08	0,08	0,07	0,07	0,06	0,06	0,05
1) Calculation of effective displacement: $\delta_{N0} = \delta_{N0}\text{-Factor} \cdot \tau_{Ed}$ $\delta_{N\infty} = \delta_{N\infty}\text{-Factor} \cdot \tau_{Ed}$ (τ_{Ed} : Design value of the applied tensile stress)									2) Calculation of effective displacement: $\delta_{V0} = \delta_{V0}\text{-Factor} \cdot V_{Ed}$ $\delta_{V\infty} = \delta_{V\infty}\text{-Factor} \cdot V_{Ed}$ (V_{Ed} : Design value of the applied shear force)								

Table C14.2: Displacements for fischer rebar anchors FRA

fischer rebar anchor FRA	M12	M16	M20	M24
Displacement-Factors for tension load¹⁾				
Uncracked or cracked concrete; Temperature range I, II				
δ_{N0} -Factor	[mm/(N/mm ²)]			
	0,09	0,10	0,11	0,12
$\delta_{N\infty}$ -Factor	0,13	0,15	0,16	0,18
Displacement-Factors for shear load²⁾				
Uncracked or cracked concrete; Temperature range I, II				
δ_{V0} -Factor	[mm/kN]			
	0,12	0,09	0,07	0,06
$\delta_{V\infty}$ -Factor	0,18	0,14	0,11	0,09
1) Calculation of effective displacement: $\delta_{N0} = \delta_{N0}\text{-Factor} \cdot \tau_{Ed}$ $\delta_{N\infty} = \delta_{N\infty}\text{-Factor} \cdot \tau_{Ed}$ (τ_{Ed} : Design value of the applied tensile stress)			2) Calculation of effective displacement: $\delta_{V0} = \delta_{V0}\text{-Factor} \cdot V_{Ed}$ $\delta_{V\infty} = \delta_{V\infty}\text{-Factor} \cdot V_{Ed}$ (V_{Ed} : Design value of the applied shear force)	

fischer injection system FIS EM Plus

Performance

Displacements for reinforcing bars and fischer rebar anchors FRA

Annex C 14

Table C15.1: Characteristic values for **steel failure** under tension / shear load of **fischer anchor rods and standard threaded rods** under seismic action performance category **C1 or C2**

Anchor rod / standard threaded rod		M10	M12	M14	M16	M20	M22	M24	M27	M30		
Bearing capacity under tension load, steel failure¹⁾												
fischer anchor rods and standard threaded rods, performance category C1²⁾												
Characteristic resistance $N_{Rk,s,C1}$	Steel zinc plated	Property class 5.8	[kN]	29(27)	43	58	79	123	152	177	230	281
		8.8		47(43)	68	92	126	196	243	282	368	449
	Stainless steel R and high corrosion resistant steel HCR	50		29	43	58	79	123	152	177	230	281
		70		41	59	81	110	172	212	247	322	393
		80		47	68	92	126	196	243	282	368	449
fischer anchor rods and standard threaded rods, performance category C2²⁾												
Characteristic resistance $N_{Rk,s,C2}$	Steel zinc plated	Property class 5.8	[-]	- ⁴⁾	39	- ⁴⁾	72	108	- ⁴⁾	177	- ⁴⁾	- ⁴⁾
		8.8		- ⁴⁾	61	- ⁴⁾	116	173	- ⁴⁾	282	- ⁴⁾	- ⁴⁾
	Stainless steel R and high corrosion resistant steel HCR	50		- ⁴⁾	39	- ⁴⁾	72	108	- ⁴⁾	177	- ⁴⁾	- ⁴⁾
		70		- ⁴⁾	53	- ⁴⁾	101	152	- ⁴⁾	247	- ⁴⁾	- ⁴⁾
		80		- ⁴⁾	61	- ⁴⁾	116	173	- ⁴⁾	282	- ⁴⁾	- ⁴⁾
Bearing capacity under shear load, steel failure without lever arm¹⁾												
fischer anchor rods, performance category C1²⁾												
Characteristic resistance $V_{Rk,s,C1}$	Steel zinc plated	Property class 5.8	[kN]	17(16)	25	34	47	74	91	106	138	168
		8.8		23(21)	34	46	63	98	122	141	184	225
	Stainless steel R and high corrosion resistant steel HCR	50		15	21	29	39	61	76	89	115	141
		70		20	30	40	55	86	107	124	161	197
		80		23	34	46	63	98	122	141	184	225
Standard threaded rods, performance category C1²⁾												
Characteristic resistance $V_{Rk,s,C1}$	Steel zinc plated	Property class 5.8	[kN]	12(11)	17	24	33	52	64	74	97	118
		8.8		16(14)	24	32	44	69	85	99	129	158
	Stainless steel R and high corrosion resistant steel HCR	50		11	15	20	27	43	53	62	81	99
		70		14	21	28	39	60	75	87	113	138
		80		16	24	32	44	69	85	99	129	158
fischer anchor rods and standard threaded rods, performance category C2												
Characteristic resistance $V_{Rk,s,C2}$	Steel zinc plated	Property class 5.8	[-]	- ⁴⁾	14	- ⁴⁾	27	43	- ⁴⁾	62	- ⁴⁾	- ⁴⁾
		8.8		- ⁴⁾	22	- ⁴⁾	44	69	- ⁴⁾	99	- ⁴⁾	- ⁴⁾
	Stainless steel R and high corrosion resistant steel HCR	50		- ⁴⁾	14	- ⁴⁾	27	43	- ⁴⁾	62	- ⁴⁾	- ⁴⁾
		70		- ⁴⁾	20	- ⁴⁾	39	60	- ⁴⁾	87	- ⁴⁾	- ⁴⁾
		80		- ⁴⁾	22	- ⁴⁾	44	69	- ⁴⁾	99	- ⁴⁾	- ⁴⁾
Factor for the annular gap	α_{gap}	[-]	0,5 (1,0) ³⁾									
<p>1) Partial factors for performance category C1 or C2 see table C1.1; for fischer anchor rods FIS A / RGM the factor for steel ductility is 1,0</p> <p>2) Values in brackets are valid for undersized threaded rods with smaller stress area A_s for hot dip galvanised standard threaded rods according to EN ISO 10684:2004+AC:2009.</p> <p>3) Values in brackets are valid for filled annular gaps between the anchor rod and the through-hole in the attachment. It is necessary to use the fischer filling disc according to Annex A 1</p> <p>4) No performance assessed</p>												
fischer injection system FIS EM Plus										Annex C 15		
<p>Performances Characteristic values for steel failure under tension / shear load for fischer anchor rods and standard threaded rods under seismic action (performance category C1 / C2)</p>												

Table C16.1: Characteristic values for **steel failure** under tension / shear load for **reinforcing bars (B500B)** under seismic action performance category **C1**

Nominal diameter of the bar	ϕ	10	12	14	16	18	20	22	24	25	26	28	30	32
Bearing capacity under tension load, steel failure¹⁾														
Reinforcing bar B500B acc. to DIN 488-2:2009-08, performance category C1														
Characteristic resistance	$N_{Rk,s,C1}$	[kN]	44	63	85	111	140	173	209	249	270	292	339	443
Bearing capacity under shear load, steel failure without lever arm¹⁾														
Reinforcing bar B500B acc. to DIN 488-2:2009-08, performance category C1														
Characteristic resistance	$V_{Rk,s,C1}$	[kN]	15	22	30	39	49	61	74	88	95	102	119	155

¹⁾ Partial factors for performance category C1 see table C16.2

Table C16.2: Partial factors for **fischer anchor rods, standard threaded rods** and **reinforcing bars (B500B)** under seismic action performance category **C1 or C2**

Anchor rod / standard threaded rod		M10	M12	M14	M16	M20	M22	M24	M27	M30				
Nominal diameter of the bar	ϕ	10	12	14	16	18	20	22	24	25	26	28	30	32
Tension load, steel failure¹⁾														
Partial factor $\gamma_{Ms,N}$	Steel zinc plated	Property class	5.8	1,50										
			8.8	1,50										
	Stainless steel R and high corrosion resistant steel HCR	Property class	50	2,86										
			70	1,50 ²⁾ / 1,87										
			80	1,60										
	Reinforcing bar	B500B	1,40											

Shear load, steel failure¹⁾													
Partial factor $\gamma_{Ms,V}$	Steel zinc plated	Property class	5.8	1,25									
			8.8	1,25									
	Stainless steel R and high corrosion resistant steel HCR	Property class	50	2,38									
			70	1,25 ²⁾ / 1,56									
			80	1,33									
	Reinforcing bar	B500B	1,50										

¹⁾ In absence of other national regulations

²⁾ Only admissible for high corrosion resistant steel HCR, with $f_{yk} / f_{uk} \geq 0,8$ and $A_5 > 12\%$ (e.g. fischer anchor rods)

fischer injection system FIS EM Plus

Performances

Characteristic values for steel failure under tension/shear load for reinforcing bars under seismic action (performance category C1); partial factors (perform. category C1 / C2)

Annex C 16

Table C17.1: Characteristic values for **combined pull-out** and concrete failure for **fischer anchor rods** and **standard threaded rods** in hammer drilled holes under seismic action performance category **C1**; **working life 50 and 100 years**

Anchor rod / standard threaded rod		M10	M12	M14	M16	M20	M22	M24	M27	M30	
Characteristic bond resistance, combined pullout and concrete cone failure											
Hammer-drilling with standard drill bit or hollow drill bit (dry or wet concrete)											
Tem- perature range	I: 35 °C / 60 °C	$\tau_{Rk,C1}$	[N/mm ²]	7,0	7,0	6,7	6,0	5,7	6,7	6,7	6,7
	II: 50 °C / 72 °C			7,0	7,0	6,7	5,7	5,7	6,7	6,7	6,7
Hammer-drilling with standard drill bit or hollow drill bit (water filled hole)											
Tem- perature range	I: 35 °C / 60 °C	$\tau_{Rk,C1}$	[N/mm ²]	7,5	7,5	6,5	5,7	5,7	5,7	5,7	5,7
	II: 50 °C / 72 °C			6,8	6,8	6,5	5,7	5,7	5,7	5,7	5,7
Installation factors											
Dry or wet concrete		γ_{inst}	[-]	1,0							
Water filled hole				1,2 ¹⁾				1,4 ¹⁾			

¹⁾ Not permitted in combination with working life 100 years

Table C17.2: Characteristic values for **combined pull-out** and concrete failure for **reinforcing bars** in hammer drilled holes under seismic action performance category **C1**; **working life 50 and 100 years**

Nominal diameter of the bar		ϕ	10	12	14	16	18	20	22	24	25	26	28	30	32
Characteristic bond resistance, combined pullout and concrete cone failure															
Hammer-drilling with standard drill bit or hollow drill bit (dry or wet concrete)															
Tem- perature range	I: 35 °C / 60 °C	$\tau_{Rk,C1}$	[N/mm ²]	7,0	7,0	6,7	5,7	5,7	5,7	6,7	6,7	6,7	6,7	6,7	4,8
	II: 50 °C / 72 °C			7,0	7,0	6,7	5,7	5,7	5,7	6,7	6,7	6,7	6,7	6,7	6,7
Hammer-drilling with standard drill bit or hollow drill bit (water filled hole)															
Tem- perature range	I: 35 °C / 60 °C	$\tau_{Rk,C1}$	[N/mm ²]	7,5	6,5	6,5	5,7	5,7	5,7	5,7	5,7	5,7	5,7	5,7	4,8
	II: 50 °C / 72 °C			6,5	6,5	5,8	5,8	5,7	5,7	5,7	5,7	5,7	5,7	5,7	5,7
Installation factors															
Dry or wet concrete		γ_{inst}	[-]	1,0											
Water filled hole				1,2 ¹⁾				1,4 ¹⁾							

¹⁾ Not permitted in combination with working life 100 years

fischer injection system FIS EM Plus

Performances

Characteristic values for combined pull-out and concrete failure under seismic action (C1) for fischer anchor rods, stand. thread. rods and reinf. bars; working life 50 and 100 years

Annex C 17

Table C18.1: Characteristic values for **combined pull-out** and concrete failure for **fischer anchor rods** and **standard threaded rods** in hammer drilled holes under seismic action performance category **C2; working life 50 and 100 years**

Anchor rod / standard threaded rod		M12	M16	M20	M24	
Characteristic bond resistance, combined pullout and concrete cone failure						
Hammer-drilling with standard drill bit or hollow drill bit (dry or wet concrete)						
Tem- perature range	I: 35 °C / 60 °C	$\tau_{Rk,C2}$ [N/mm ²]	3,5	5,8	5,0	3,1
	II: 50 °C / 72 °C		3,3	5,5	4,7	2,9
Hammer-drilling with standard drill bit or hollow drill bit (water filled hole)						
Tem- perature range	I: 35 °C / 60 °C	$\tau_{Rk,C2}$ [N/mm ²]	3,5	5,8	5,0	3,1
	II: 50 °C / 72 °C		3,3	5,5	4,7	2,9
Installation factors						
Dry or wet concrete		[-]	1,0			
Water filled hole			1,2 ¹⁾	1,4 ¹⁾		
¹⁾ Not permitted in combination with working life 100 years						
Displacement-Factors for tension load¹⁾						
$\delta_{N,C2}$ (DLS)-Factor		[mm/(N/mm ²)]	0,09	0,10	0,11	0,12
$\delta_{N,C2}$ (ULS)-Factor			0,15	0,17	0,17	0,18
Displacement-Factors for shear load²⁾						
$\delta_{V,C2}$ (DLS)-Factor		[mm/kN]	0,18	0,10	0,07	0,06
$\delta_{V,C2}$ (ULS)-Factor			0,25	0,14	0,11	0,09
¹⁾ Calculation of effective displacement: $\delta_{N,C2} (DLS) = \delta_{N,C2} (DLS)\text{-Factor} \cdot \tau_{Ed}$ $\delta_{N,C2} (ULS) = \delta_{N,C2} (ULS)\text{-Factor} \cdot \tau_{Ed}$ (τ_{Ed} : Design value of the applied tensile stress)			²⁾ Calculation of effective displacement: $\delta_{V,C2} (DLS) = \delta_{V,C2} (DLS)\text{-Factor} \cdot V_{Ed}$ $\delta_{V,C2} (ULS) = \delta_{V,C2} (ULS)\text{-Factor} \cdot V_{Ed}$ (V_{Ed} : Design value of the applied shear force)			
fischer injection system FIS EM Plus					Annex C 18	
Performances Characteristic values for combined pull-out and concrete failure under seismic action (C2) for fischer anchor rods and standard threaded rods; working life 50 and 100 years						